

**OPPEIN**

# OPPEIN

KITCHEN APPLIANCES & ACCESSORIES  
COLLECTION 2011

**OPPEIN**

KITCHEN APPLIANCES & ACCESSORIES

**OPPEIN**

**OPPEIN INTERNATIONAL CABINET CO.**

<http://www.oppeinhome.co.za>

E mail: [info@oppeinhome.co.za](mailto:info@oppeinhome.co.za)



China top brand



China well-known  
trademark



China Eco-Friendly  
Label

Contact for further information:

Zubair Patel

Tel: (+27) 11 027 2405

Mobile: (+27) 078 444 9211

E mail: [zubair@oppeinhome.co.za](mailto:zubair@oppeinhome.co.za)

**OPPEIN**

# CONTENTS

KITCHEN APPLIANCES & ACCESSORIES COLLECTION 2011

---



**Rangehood**  
03



**Cooktop**  
09



**Microwave**  
17



**Oven**  
21



**Steam Oven**  
23



**Warming Drawer**  
24



**Dishwasher**  
25



**Refrigerator**  
27



**Pull-out Basket**  
31



**Drawer**  
40



**Sink**  
43



**Faucet**  
59



**Lighting**  
65



**Storage Systems**  
69



**Functional Hardware**  
73



**Water Purifier Series**  
77



**Sterilizer for Fruit and Vegetable**  
78



**Pot and Pan Series**  
79



**Knives Series**  
81



**Cutting Board Series**  
81



**Cooker Series**  
81



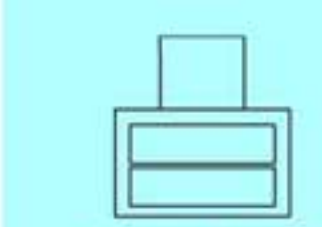
**Others**  
82





**Customized Optimized Utilized**  
Kitchen electrical integration—one-stop service from OPPEIN





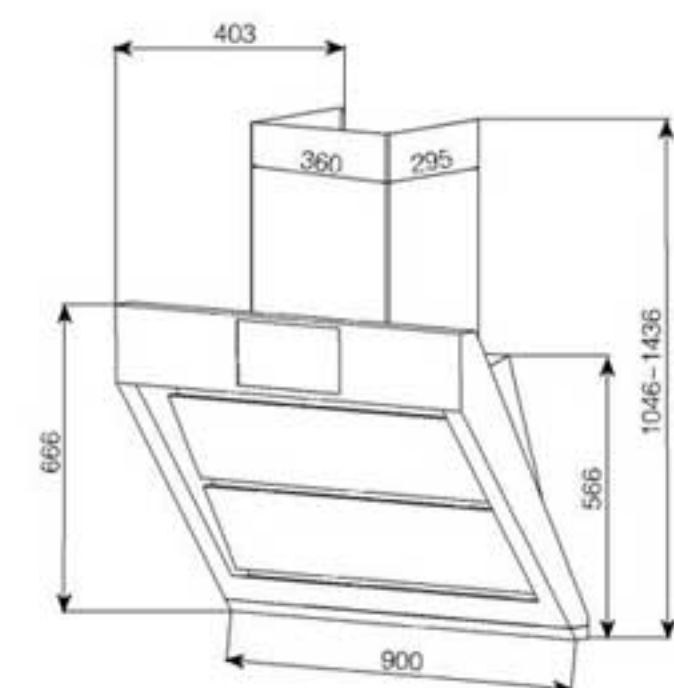
Range hood

OPPEIN



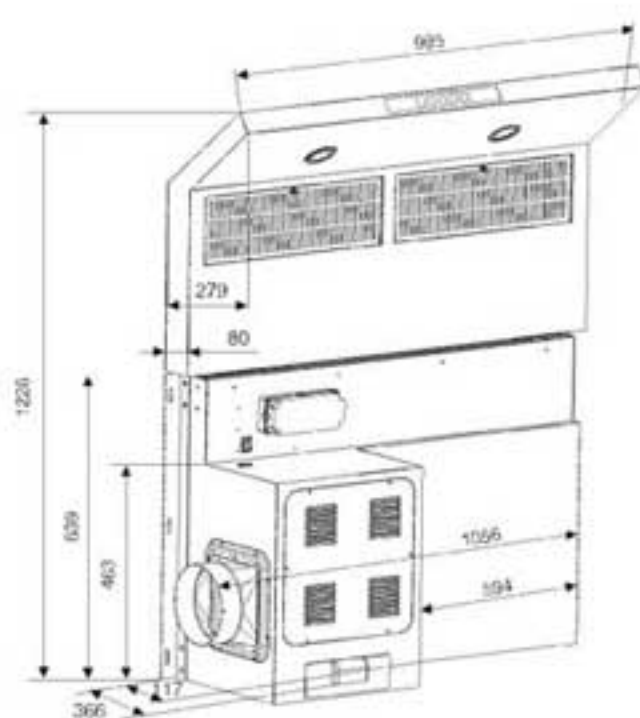
CXW-218-E701

Name	Ranghood	Air duct diameter(mm)	Φ 160
Motor power(W)	218	N.W(kg)	28
Illumination power(W)	2X1	Chimney specification(mm)	295
Max air pressure(Pa)	≥ 290	Size(LxWxHmm)	900X405X1046-1436
Noises(dB)	≤ 70	Speed controlling	Three speed
Air volume(m <sup>3</sup> /min)	14 ± 2	Time-lapse power off	Available



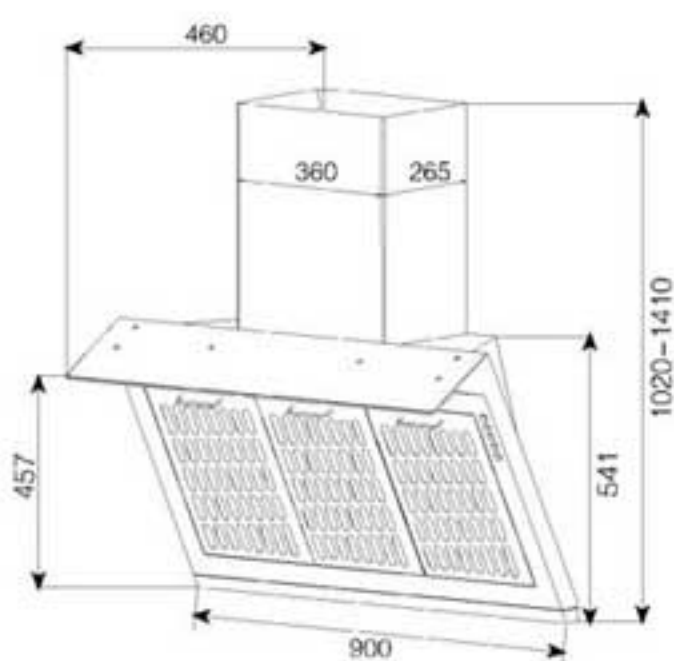
CXW-220-E702

Name	Ranghood	Air duct diameter(mm)	Φ 180
Motor power(W)	220	N.W(kg)	36
Illumination power(W)	2X2	Chimney specification(mm)	Without
Max air pressure(Pa)	≥ 290	Size(LxWxHmm)	995x367x1226-1296
Noises(dB)	≤ 70	Speed controlling	Two speed
Air volume(m <sup>3</sup> /min)	14 ± 2	Time-lapse power off	Available



CXW-218-E614

Name	Ranghood+Glass	Air duct diameter(mm)	Φ 160
Motor power(W)	218	N.W(kg)	26
Illumination power(W)	2X1	Chimney specification(mm)	265
Max air pressure(Pa)	≥ 290	Size(LxWxHmm)	900X570X1020-1410
Noises(dB)	≤ 70	Speed controlling	Three speed
Air volume(m <sup>3</sup> /min)	14 ± 2	Time-lapse power off	Available



CXW-220-E613

Name	Ranghood	Air duct diameter(mm)	Φ 160
Motor power(W)	220	N.W(kg)	22.7
Illumination power(W)	2X2	Chimney specification(mm)	317
Max air pressure(Pa)	≥ 270	Size(LxWxHmm)	900X415X960-1340
Noises(dB)	≤ 70	Speed controlling	Two speed
Air volume(m <sup>3</sup> /min)	14 ± 2	Time-lapse power off	Available

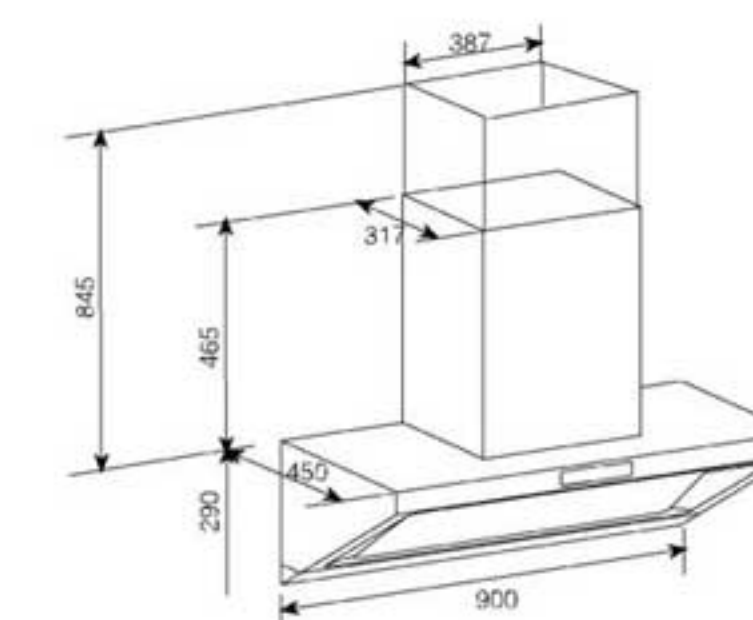


OPPEIN



CXW-220-E609

Name	Ranghood	Air duct diameter(mm)	Φ 160
Motor power(W)	220	N.W(kg)	25
Illumination power(W)	2X2	Chimney specification(mm)	317
Max air pressure(Pa)	≥ 270	Size(LxWxHmm)	900X450X755-1135
Noises(dB)	≤ 70	Speed controlling	Two speed
Air volume(m <sup>3</sup> /min)	14 ± 2	Time-lapse power off	Available



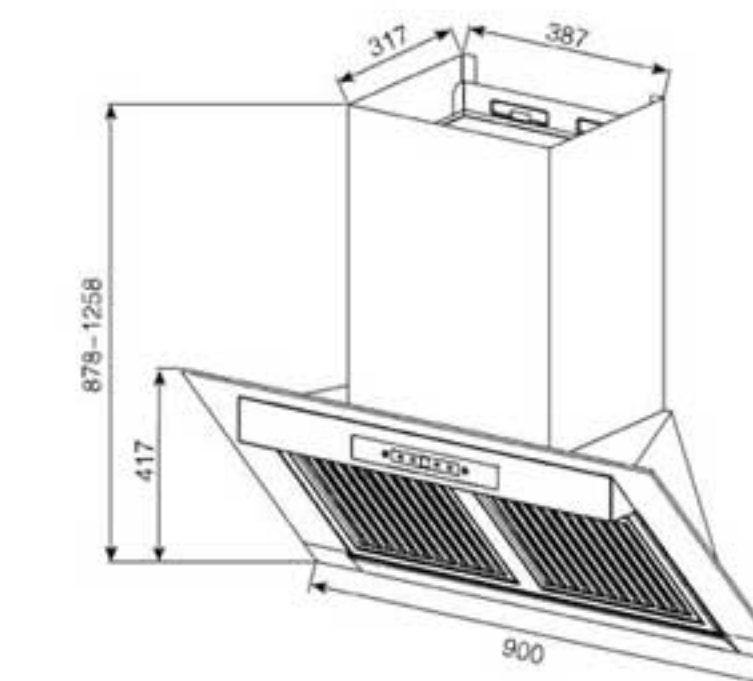
CXW-218-E904

Name	Ranghood+Glass	Air duct diameter(mm)	Φ 160
Motor power(W)	218	N.W(kg)	27
Illumination power(W)	2X1	Chimney specification(mm)	265
Max air pressure(Pa)	≥ 290	Size(LxWxHmm)	900X465X1055-1445
Noises(dB)	≤ 70	Speed controlling	Three speed
Air volume(m <sup>3</sup> /min)	14 ± 2	Time-lapse power off	Available



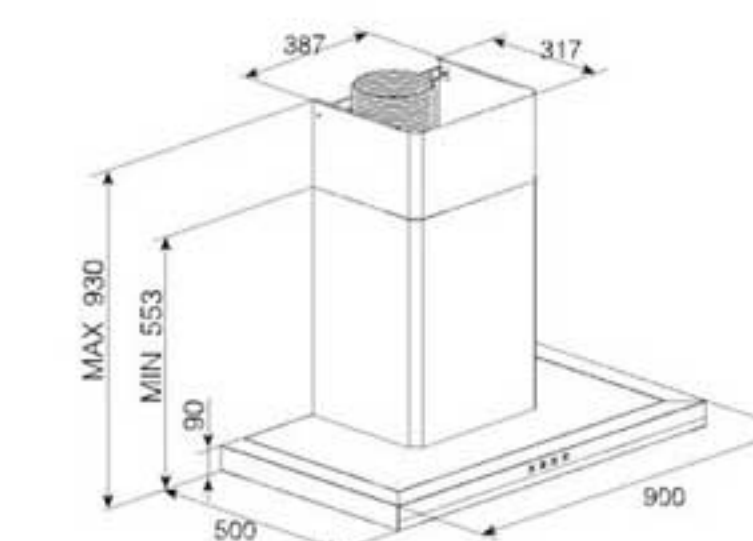
CXW-220-E303

Name	Ranghood+Glass	Air duct diameter(mm)	Φ 160
Motor power(W)	220	N.W(kg)	23.5
Illumination power(W)	2X2	Chimney specification(mm)	317
Max air pressure(Pa)	≥ 270	Size(LxWxHmm)	900X406X878-1258
Noises(dB)	≤ 70	Speed controlling	Two speed
Air volume(m <sup>3</sup> /min)	14 ± 2	Time-lapse power off	Available



CXW-220-E602

Name	Ranghood	Air duct diameter(mm)	Φ 160
Motor power(W)	220	N.W(kg)	22
Illumination power(W)	2X2	Chimney specification(mm)	317
Max air pressure(Pa)	≥ 270	Size(LxWxHmm)	900X500X553-930
Noises(dB)	≤ 70	Speed controlling	Two speed
Air volume(m <sup>3</sup> /min)	14 ± 2	Time-lapse power off	Available







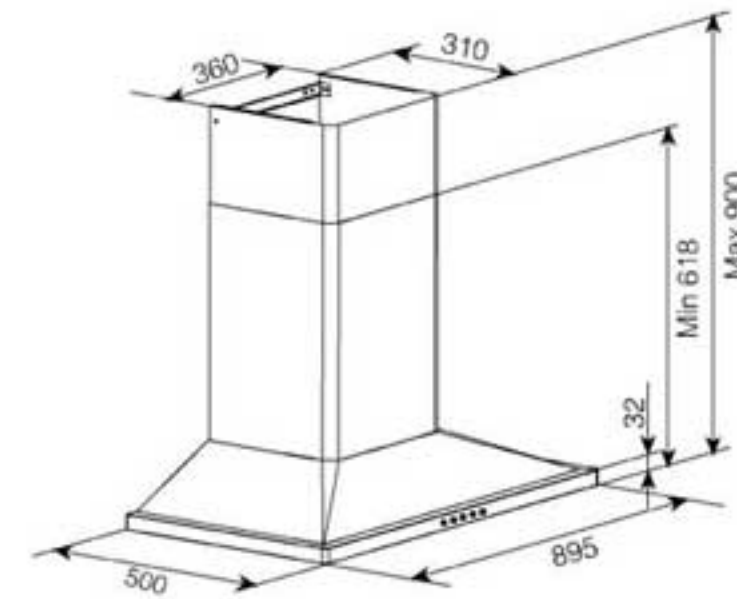
Range hood

OPPEIN

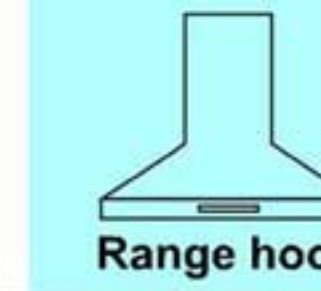


CXW-238-E604

Name	Rangehood	Air duct diameter(mm)	Φ 160
Motor power(W)	238	N.W(kg)	23
Illumination power(W)	2X2	Chimney specification(mm)	310
Max air pressure(Pa)	≥ 290	Size(LxWxHmm)	895X500X618-900
Noises(dB)	≤ 70	Speed controlling	Three speed
Air volume(m <sup>3</sup> /min)	14 ± 2	Time-lapse power off	Available



OPPEIN

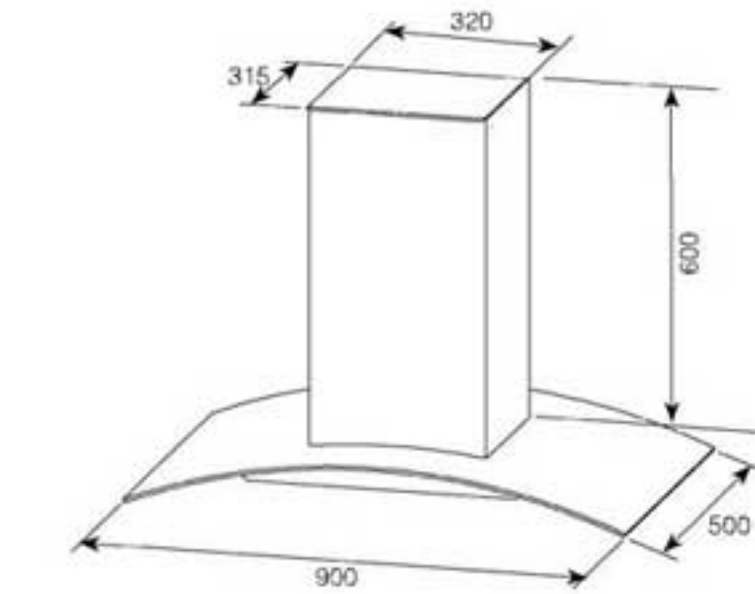


Range hood



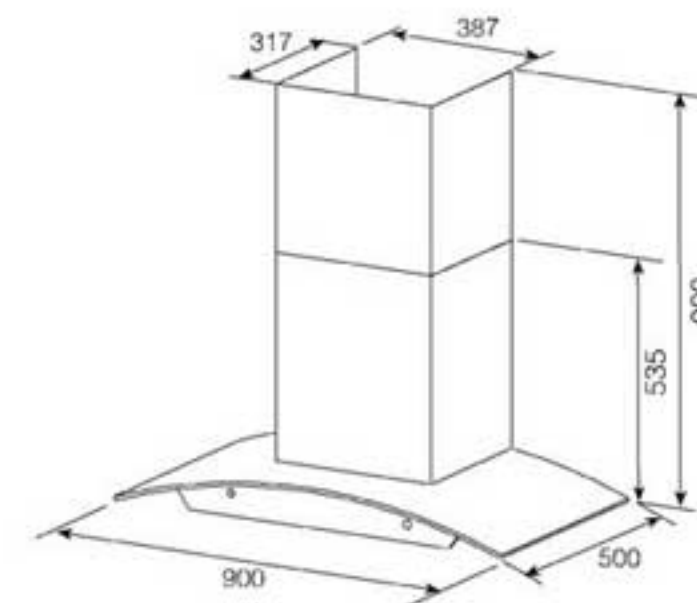
CXW-218-E201

Name	Rangehood	Air duct diameter(mm)	Φ 160
Motor power(W)	218	N.W(kg)	21
Illumination power(W)	2X2	Chimney specification(mm)	315
Air pressure(Pa)	300 ± 10	Size(LxWxHmm)	900X500X600
Noises(dB)	≤ 70	Speed controlling	Two speed
Air volume(m <sup>3</sup> /min)	14 ± 1	Time-lapse power off	Available



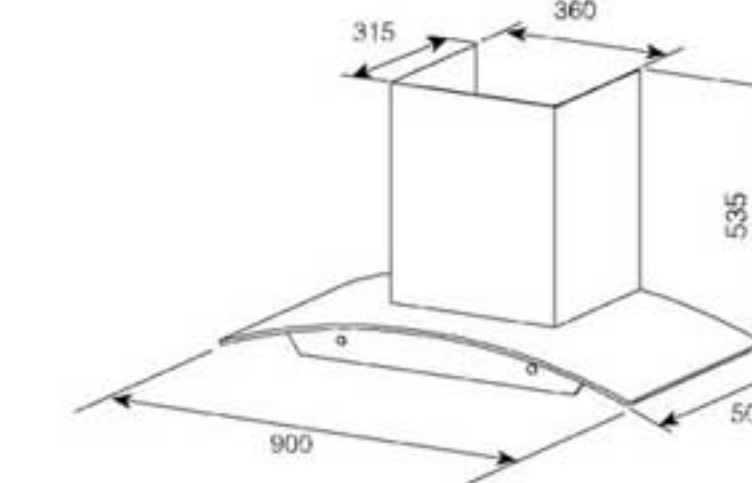
CXW-220-E7C

Name	Rangehood+Glass	Air duct diameter(mm)	Φ 160
Motor power(W)	220	N.W(kg)	21
Illumination power(W)	2X2	Chimney specification(mm)	317
Max air pressure(Pa)	≥ 270	Size(LxWxHmm)	900X500X535-900
Noises(dB)	≤ 70	Speed controlling	Two speed
Air volume(m <sup>3</sup> /min)	14 ± 2	Time-lapse power off	Without



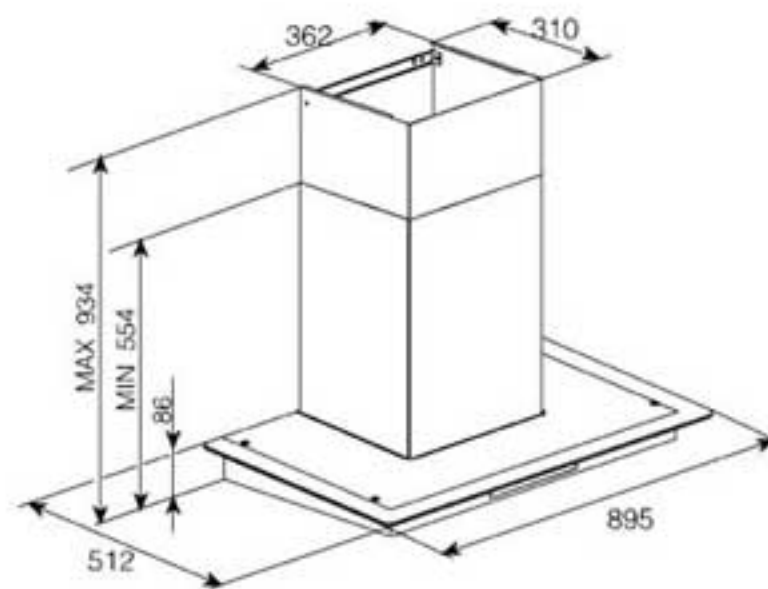
CXW-200-E202

Name	Rangehood	Air duct diameter(mm)	Φ 160
Motor power(W)	200	N.W(kg)	23
Illumination power(W)	2X2	Chimney specification(mm)	315
Air pressure(Pa)	300 ± 10	Size(LxWxHmm)	900X500X535
Noises(dB)	≤ 70	Speed controlling	Two speed
Air volume(m <sup>3</sup> /min)	14 ± 1	Time-lapse power off	Without



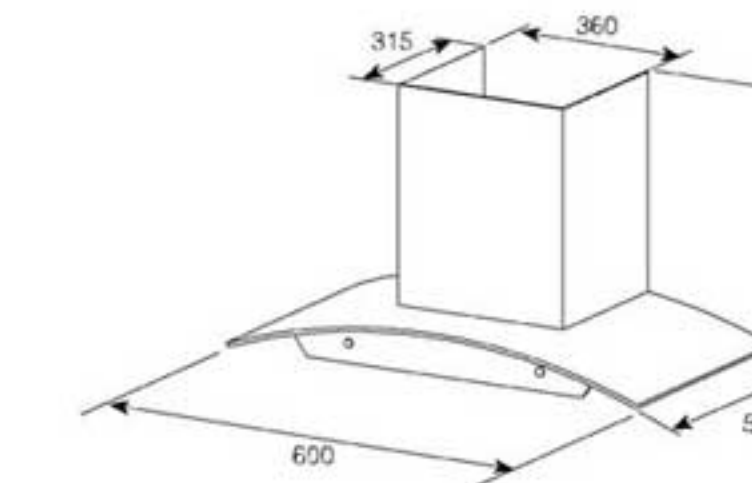
CXW-238-E301A

Name	Rangehood+Glass	Air duct diameter(mm)	Φ 160
Motor power(W)	238	N.W(kg)	23
Illumination power(W)	2X2	Chimney specification(mm)	310
Max air pressure(Pa)	≥ 290	Size(LxWxHmm)	895X512X554-934
Noises(dB)	≤ 70	Speed controlling	Three speed
Air volume(m <sup>3</sup> /min)	14 ± 2	Time-lapse power off	Without



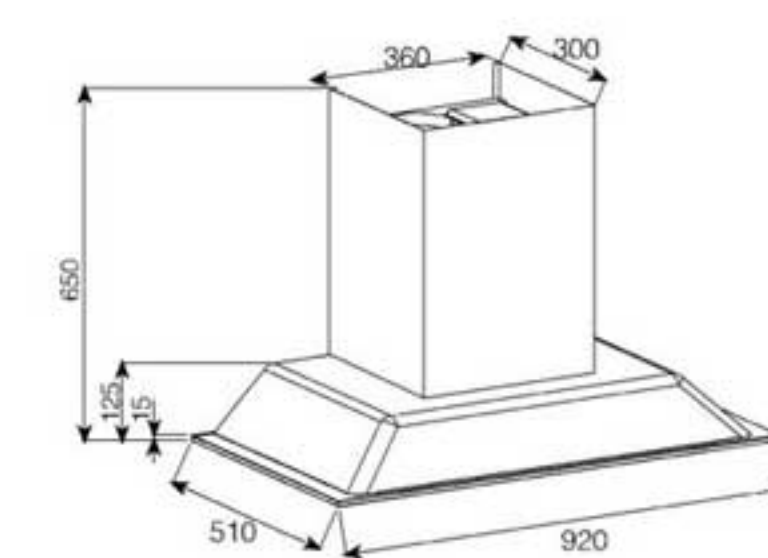
CXW-200-E203

Name	Rangehood	Air duct diameter(mm)	Φ 160
Motor power(W)	300	N.W(kg)	22
Illumination power(W)	2X2	Chimney specification(mm)	315
Air pressure(Pa)	300 ± 10	Size(LxWxHmm)	600X500X535
Noises(dB)	≤ 70	Speed controlling	Two speed
Air volume(m <sup>3</sup> /min)	14 ± 1	Time-lapse power off	Without



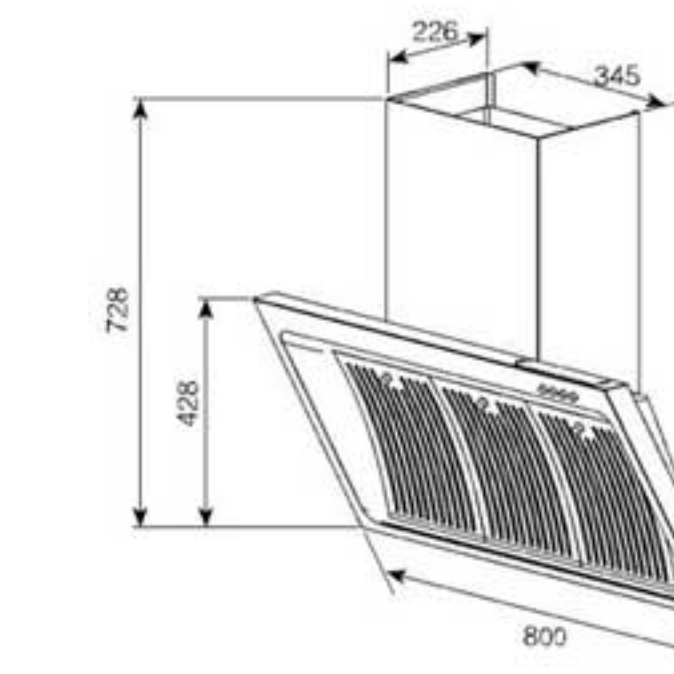
CXW-238-E612

Name	Rangehood	Air duct diameter(mm)	Φ 160
Motor power(W)	238	N.W(kg)	17.5
Illumination power(W)	2X2	Chimney specification(mm)	300
Max air pressure(Pa)	≥ 290	Size(LxWxHmm)	920X510X650
Noises(dB)	≤ 70	Speed controlling	Three speed
Air volume(m <sup>3</sup> /min)	14 ± 2	Time-lapse power off	Available

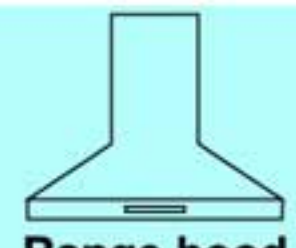


CXW-200-E204

Name	Rangehood	Air duct diameter(mm)	Φ 160
Motor power(W)	218	N.W(kg)	15
Illumination power(W)	2WX2	Chimney specification(mm)	226
Air pressure(Pa)	280 ± 10	Size(LxWxHmm)	800X305X815
Noises(dB)	≤ 69	Speed controlling	Two speed
Air volume(m <sup>3</sup> /min)	14 ± 1	Time-lapse power off	Without







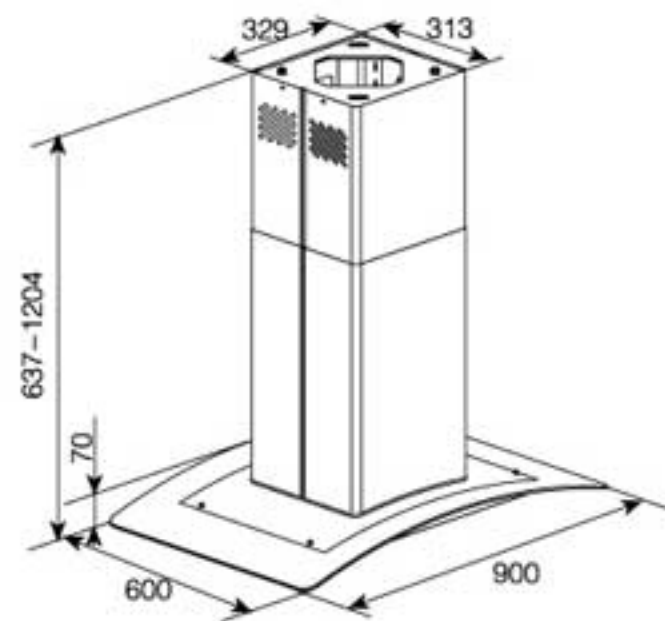
Range hood

OPPEIN



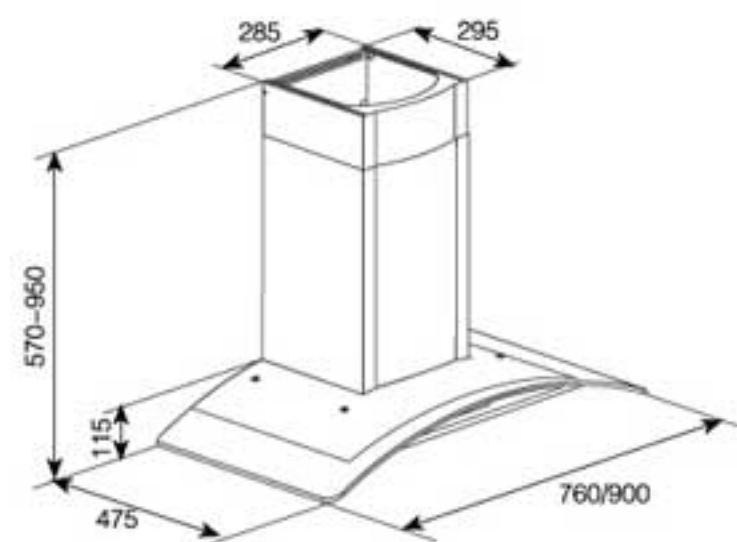
RS-668I

Name	Rangehood type	Pipe size(mm)	150
Code	RS-668I	N.W(kg)	27
Width(mm)	900mm	G.W(kg)	31
Material	Stainless steel&Glass	Size(mm)	900x600x637-1204
Air volume	1000m3/H	Rotate speed	3 Speed Setting
Light	4X2w		



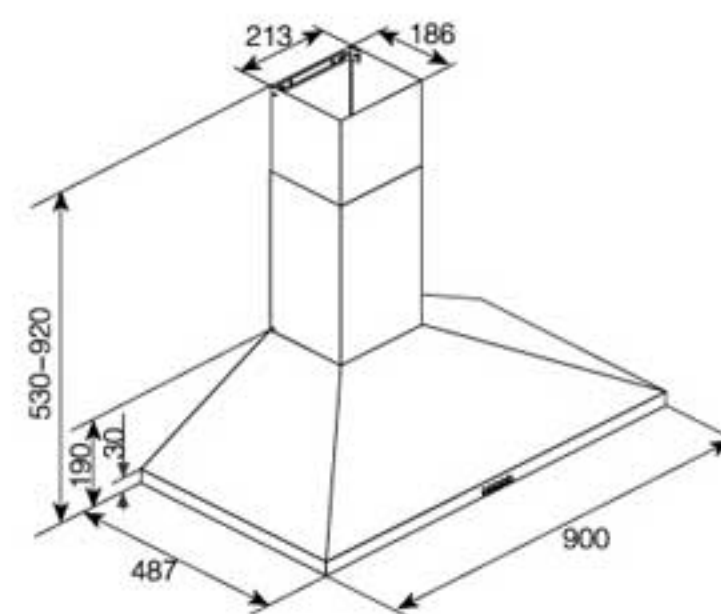
RS-668S

Name	Rangehood	Pipe size(mm)	150
Code	RS-668S	N.W(kg)	19
Width(mm)	900	G.W(kg)	23
Material	Stainless steel&Glass	Size(mm)	900x475x570-950
Air volume	760m3/H	Rotate speed	3 Speed Setting
Light	2X2w		



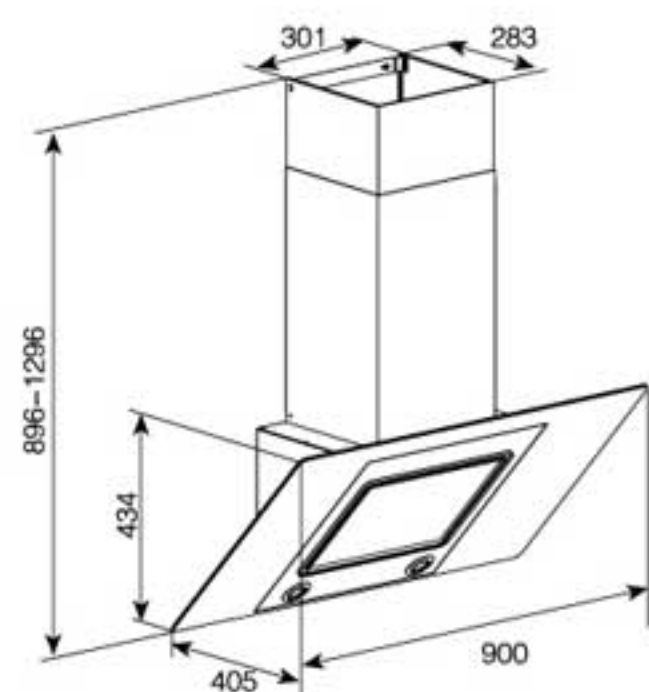
RS-63190T

Name	Rangehood	Pipe size(mm)	150
Code	RS-63190T	N.W(kg)	11
Width(mm)	900	G.W(kg)	13
Material	Stainless steel&Glass	Size(mm)	900x487x530-920
Air volume	500m3/H	Rotate speed	3 Speed Setting
Light	2X25w		



RS-C902

Name	Rangehood	Pipe size(mm)	150
Code	RS-C902	N.W(kg)	28
Width(mm)	900	G.W(kg)	31
Material	Stainless steel&Glass	Size(mm)	900x405x896-1296
Air volume	1000m3/H	Rotate speed	3 Speed Setting
Light	2X2w		



OPPEIN

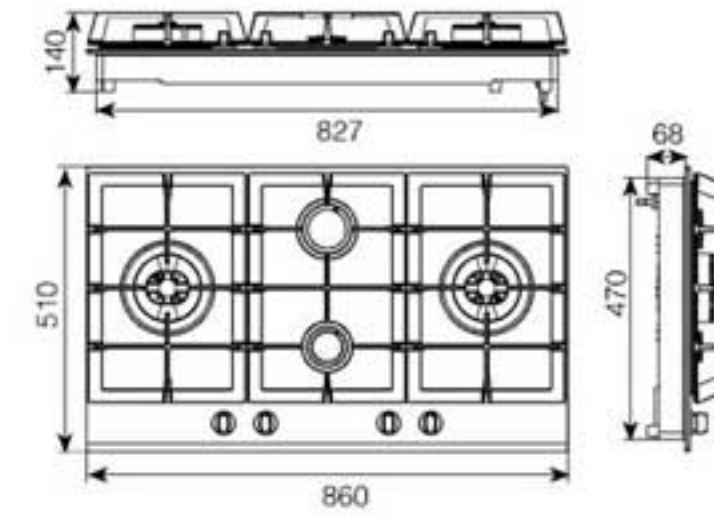






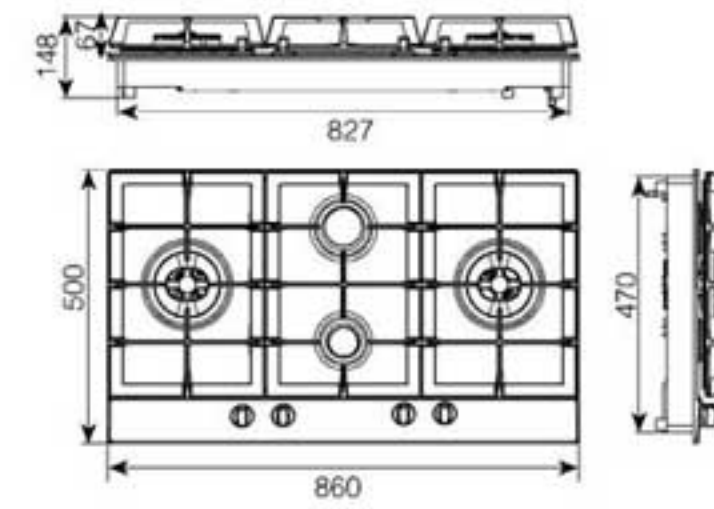
JZ(Y.T)-Q701

Name	Gas stove	Rated heat load(kw)	L:4.0M:1.8(Up)0.9(Down)R:4.0
Fuel gas type	LPG/natural gas	N.W.(kg)	20
Rated gas pressure(Pa)	2800/2000/1000	Hole size(LxDxW&angle)	W827XD470 R0
Intelligent flameout protection device	Available	Size(LxWxHmm)	860X510X140



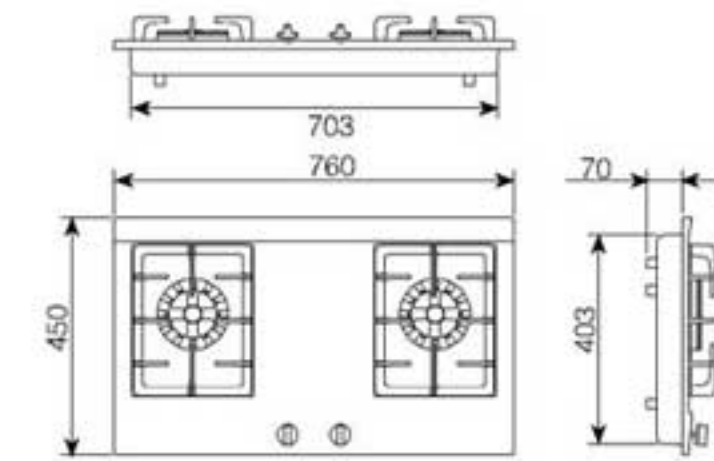
JZ(Y.T)-Q702

Name	Gas stove	Rated heat load(kw)	L:4.0M:1.8(Up)0.9(Down)R:4.0
Fuel gas type	LPG/natural gas	N.W.(kg)	16
Rated gas pressure(Pa)	2800/2000/1000	Hole size(LxDxW&angle)	W827XD470 R0
Intelligent flameout protection device	Available	Size(LxWxHmm)	860X500X140



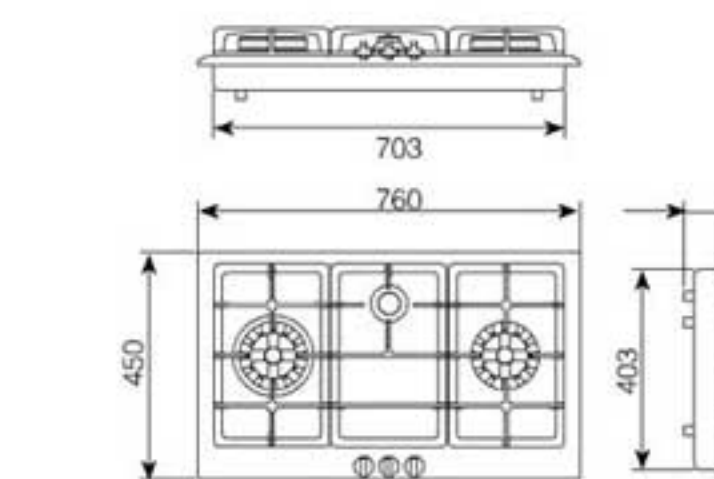
JZ(Y.T.R)-Q06BB

Name	Gas stove	Rated heat load(kw)	L: 4.5kw R: 4.5kw
Fuel gas type	LPG/natural gas	N.W.(kg)	13
Rated gas pressure(Pa)	2800/2000/1000	Hole size(LxDxW&angle)	W703XD403 R15
Intelligent flameout protection device	Available	Size(LxWxHmm)	760X450X138



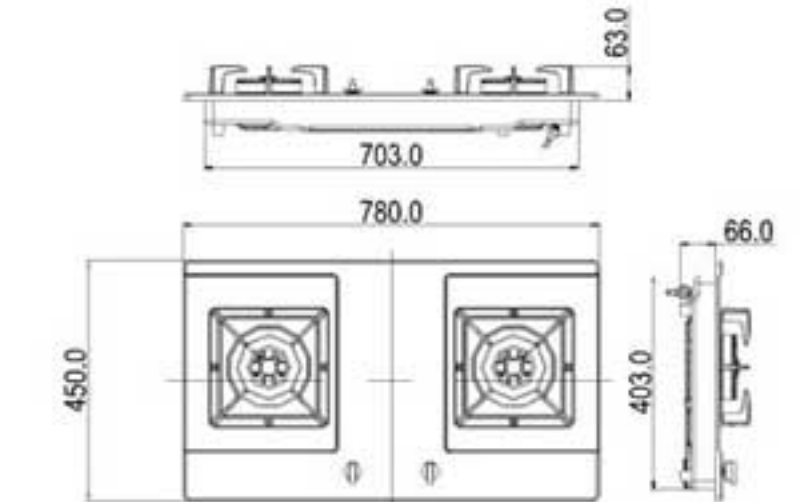
JZ(Y.T.R)-Q604

Name	Gas stove	Rated heat load(kw)	L/R: 4.5kw M: 1.2kw
Fuel gas type	LPG/natural gas	N.W.(kg)	13
Rated gas pressure(Pa)	2800/2000/1000	Hole size(LxDxW&angle)	W703XD403 R15
Intelligent flameout protection device	Available	Size(LxWxHmm)	760X450X135



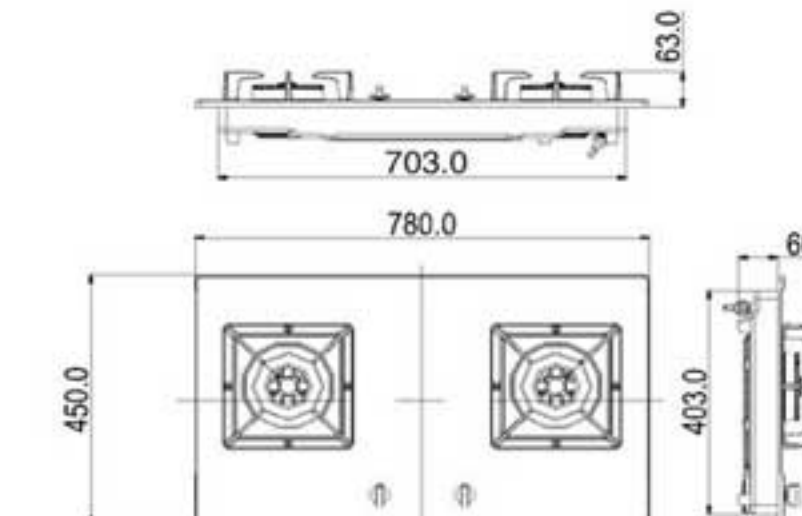
JZ(Y.T)-Q613

Name	Gas stove	Rated heat load(kw)	L:4.0 R:4.0
Fuel gas type	LPG/natural gas	N.W.(kg)	9.5
Rated gas pressure(Pa)	2800/2000/1000	Hole size(LxDxW&angle)	W703XH403XR15
Intelligent flameout protection device	Available	Size(LxWxHmm)	780X450X130



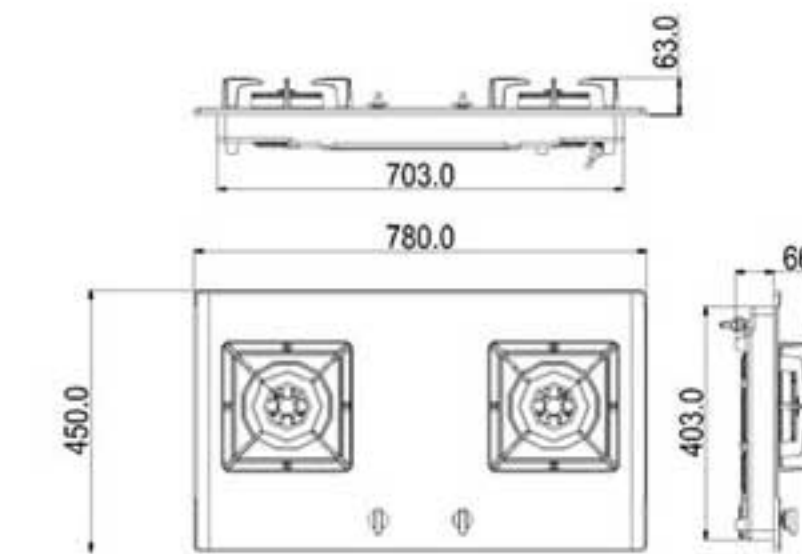
JZ(Y.T)-Q614

Name	Gas stove	Rated heat load(kw)	L:4.0 R:4.0
Fuel gas type	LPG/natural gas	N.W.(kg)	13.0
Rated gas pressure(Pa)	2800/2000/1000	Hole size(LxDxW&angle)	W703XH403XR15
Intelligent flameout protection device	Available	Size(LxWxHmm)	780X450X130



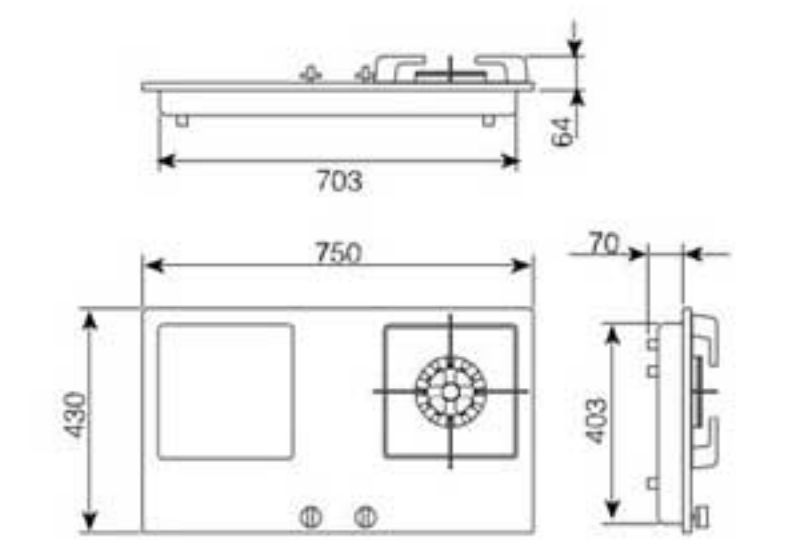
JZ(Y.T)-Q615

Name	Gas stove	Rated heat load(kw)	L:4.0 R:4.0
Fuel gas type	LPG/natural gas	N.W.(kg)	13.0
Rated gas pressure(Pa)	2800/2000/1000	Hole size(LxDxW&angle)	W703XH403XR15
Intelligent flameout protection device	Available	Size(LxWxHmm)	780X450X130



JZD(Y.T.R)-Q06EA

Name	Gas&Electric stove	Rated voltage(V-)	220
Fuel gas type	LPG/natural gas	Rated power(W)	2200
Rated gas pressure(Pa)	2800/2000/1000	N.W.(kg)	8.5
Intelligent flameout protection device	Available	Hole size(LxDxW&angle)	W703XD403 R15
Rated heat load(kw)	R: 4.5kw	Size(LxWxHmm)	750X430X150

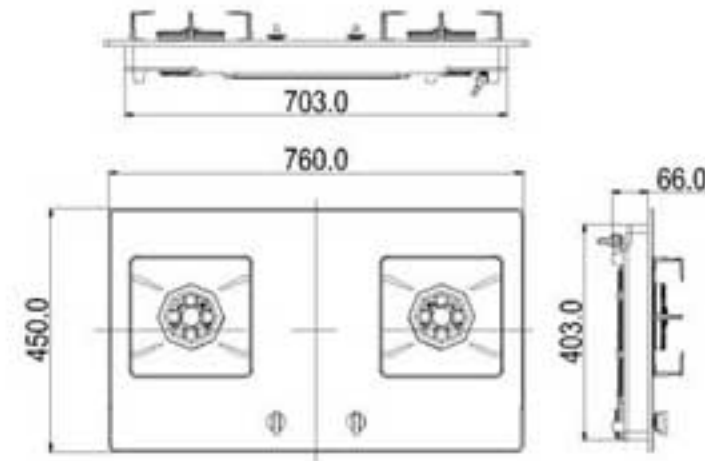






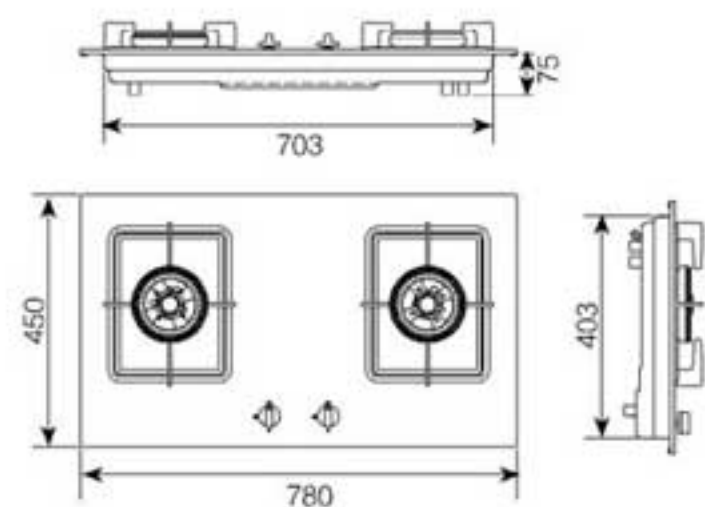
JZ(Y.R.T)-Q06CC

Name	Gas stove	Rated heat load(kw)	L: 4.5kw R: 4.5kw
Fuel gas type	LPG/natural gas	N.W.(kg)	13
Rated gas pressure(Pa)	2800/2000/1000	Hole size(LxDxW&angle)	W703XD403 R15
Intelligent flameout protection device	Available	Size(LxWxHmm)	760 X 450 X 138



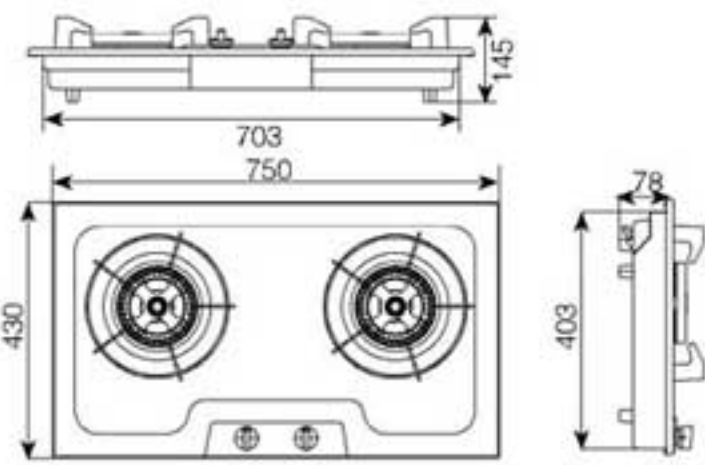
JZ(Y.T.R)-Q305

Name	Gas stove	Rated heat load(kw)	L: 4.5kw R: 4.5kw
Fuel gas type	LPG/natural gas	N.W.(kg)	12
Rated gas pressure(Pa)	2800/2000/1000	Hole size(LxDxW&angle)	W703XD403 R15
Intelligent flameout protection device	Available	Size(LxWxHmm)	780X450X138



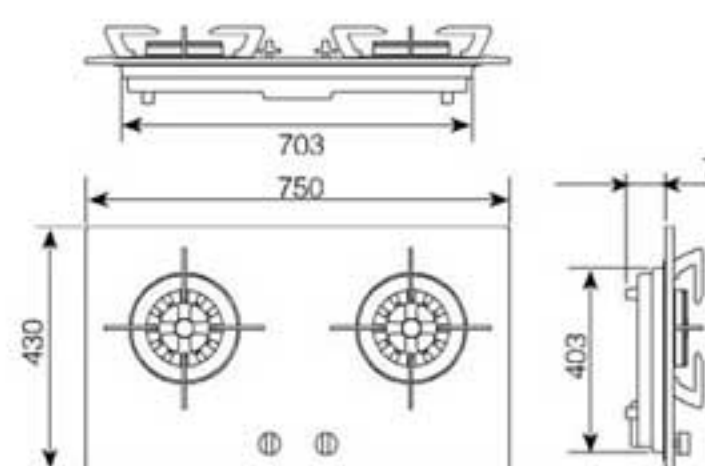
JZ(Y.T.R)-Q612

Name	Gas stove	Rated heat load(kw)	L: 4.5kw R: 4.5kw
Fuel gas type	LPG/natural gas	N.W.(kg)	10.5
Rated gas pressure(Pa)	2800/2000/1000	Hole size(LxDxW&angle)	W703XD403 R15
Intelligent flameout protection device	Available	Size(LxWxHmm)	750X430X140



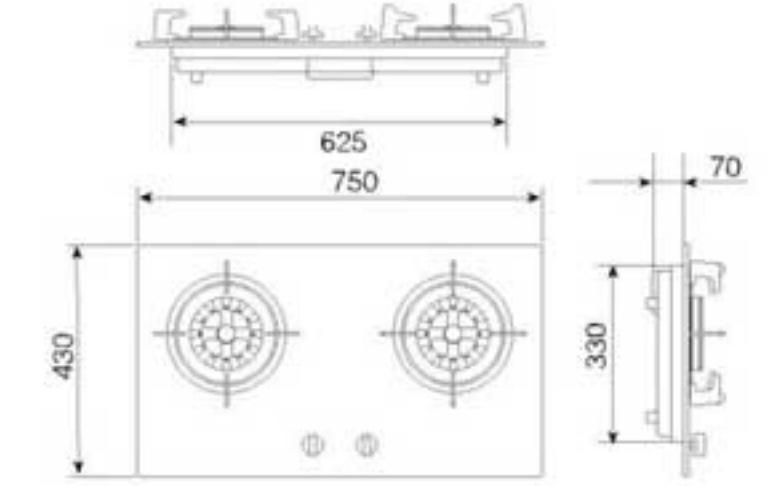
JZ(Y.T.R)-Q301A

Name	Gas stove	Rated heat load(kw)	L: 4.5kw R: 4.5kw
Fuel gas type	LPG/natural gas	N.W.(kg)	9.5
Rated gas pressure(Pa)	2800/2000/1000	Hole size(LxDxW&angle)	W703XD403 R15
Intelligent flameout protection device	Available	Size(LxWxHmm)	750X430X135



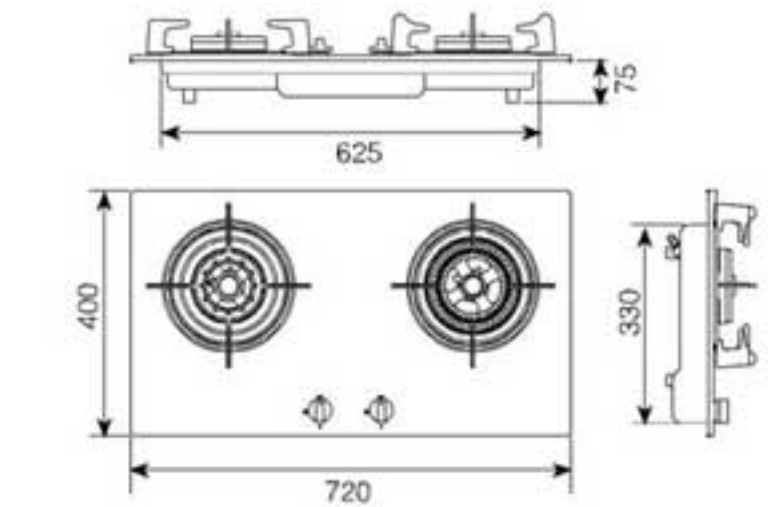
JZ(Y.T.R)-Q302A

Name	Gas stove	Rated heat load(kw)	L: 4.5kw R: 4.5kw
Fuel gas type	LPG/natural gas	N.W.(kg)	14
Rated gas pressure(Pa)	2800/2000/1000	Hole size(LxDxW&angle)	W625XD330 R15
Intelligent flameout protection device	Available	Size(LxWxHmm)	750X430X150



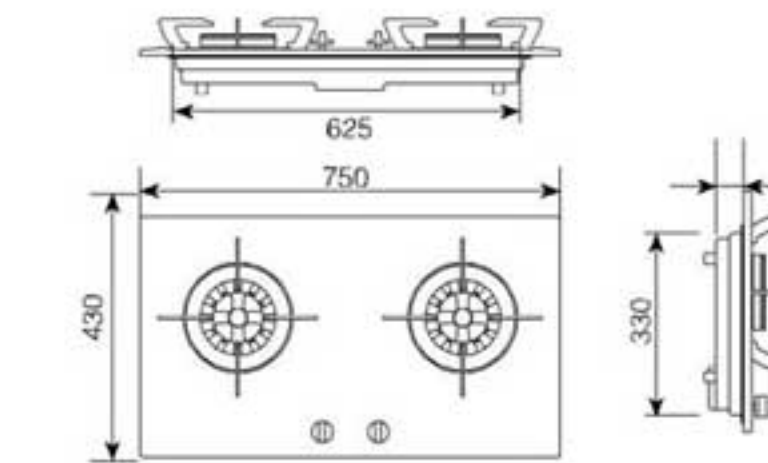
JZ(Y.T.R)-Q304

Name	Gas stove	Rated heat load(kw)	L:3.8 R:4.5
Fuel gas type	LPG/natural gas	N.W.(kg)	7.5
Rated gas pressure(Pa)	2800/2000/1000	Hole size(LxDxW&angle)	W625XD330 R15
Intelligent flameout protection device	Available	Size(LxWxHmm)	750x430x135



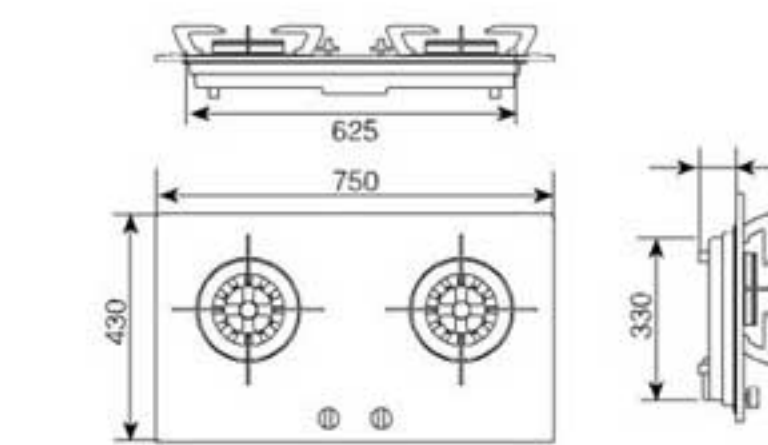
JZ(Y.T.R)-Q201

Name	Gas stove	Rated heat load(kw)	L:4.0 R:4.0
Fuel gas type	LPG/natural gas	N.W.(kg)	9.5
Rated gas pressure(Pa)	2800/2000/1000	Hole size(LxDxW&angle)	W625XD330 R15
Intelligent flameout protection device	Available	Size(LxWxHmm)	720x400x150



JZ(Y.T.R)-Q202

Name	Gas stove	Rated heat load(kw)	L: 4.5kw R: 4.5kw
Fuel gas type	LPG/natural gas	N.W.(kg)	13
Rated gas pressure(Pa)	2800/2000/1000	Hole size(LxDxW&angle)	W625XD330 R15
Intelligent flameout protection device	Available	Size(LxWxHmm)	750X430x125

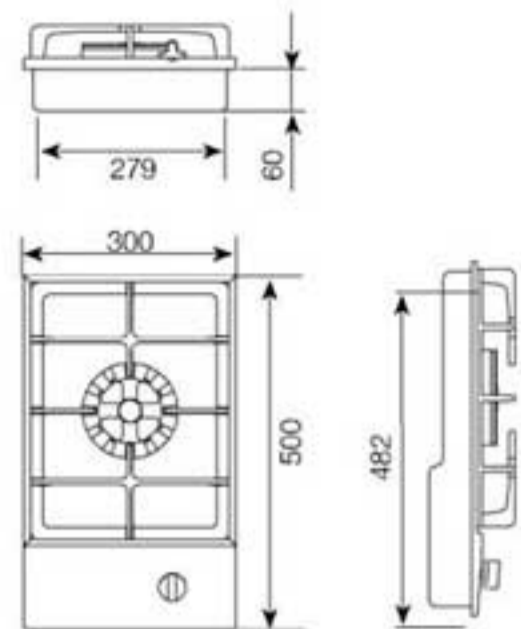






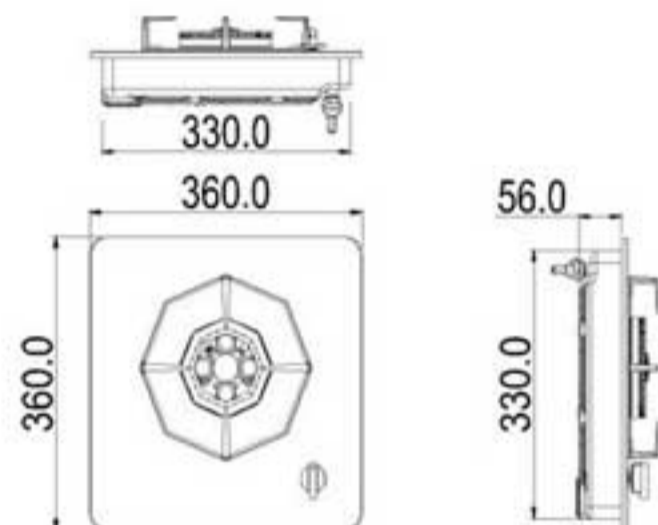
JZ(Y.T.R)-Q203

Name	Gas stove	Rated heat load(kw)	L: 4.5kw R: 4.5kw
Fuel gas type	LPG/natural gas	N.W.(kg)	5.2
Rated gas pressure(Pa)	2800/2000/1000	Hole size(LxDxW&angle)	279x482xR10
Intelligent flameout protection device	Available	Size(LxWxHmm)	300X500x110



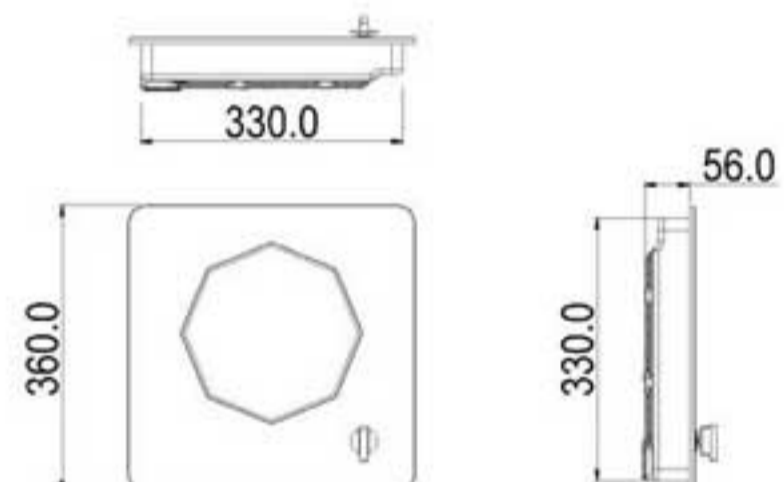
JZ(Y.R.T)-Q616

Name	Gas stove	Rated heat load(kw)	L:4.0 R:4.0
Fuel gas type	LPG/natural gas	N.W.(kg)	5.5
Rated gas pressure(Pa)	2800/2000/1000	Hole size(LxDxW&angle)	330WX330HXR40
Intelligent flameout protection device	Available	Size(LxWxHmm)	360X360X80



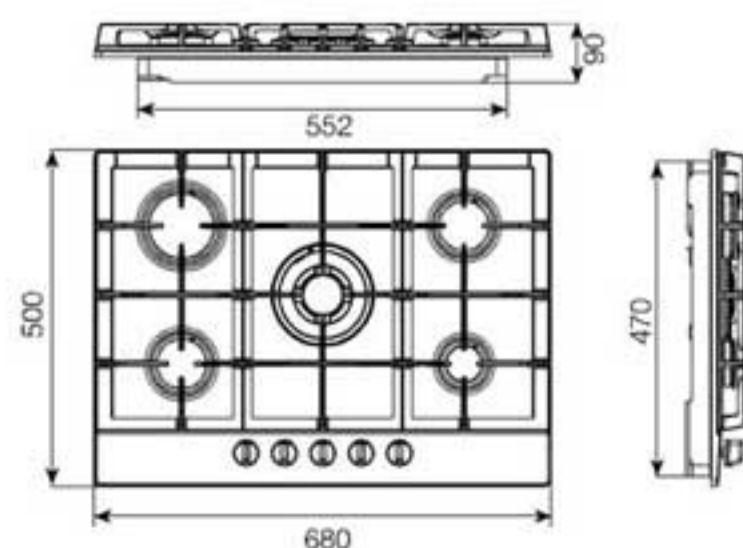
C22-I603

Name	Electric stove	N.W.(kg)	5.5
Rated voltage(V~)	220	Hole size(LxDxW&angle)	330WX330HXR40
Rated power(W)	2200	Size(LxWxHmm)	360X360X80



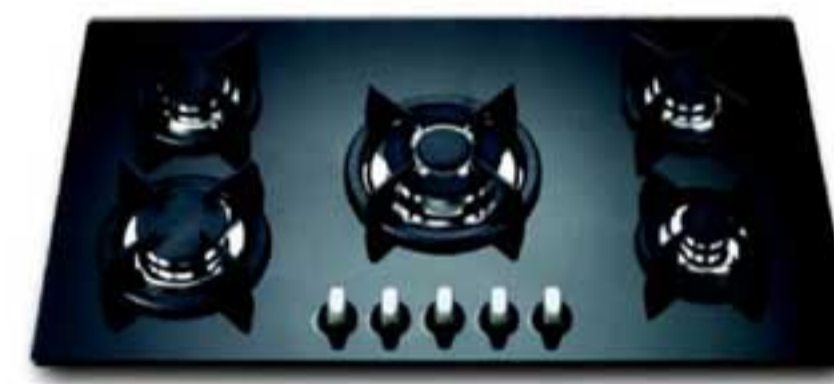
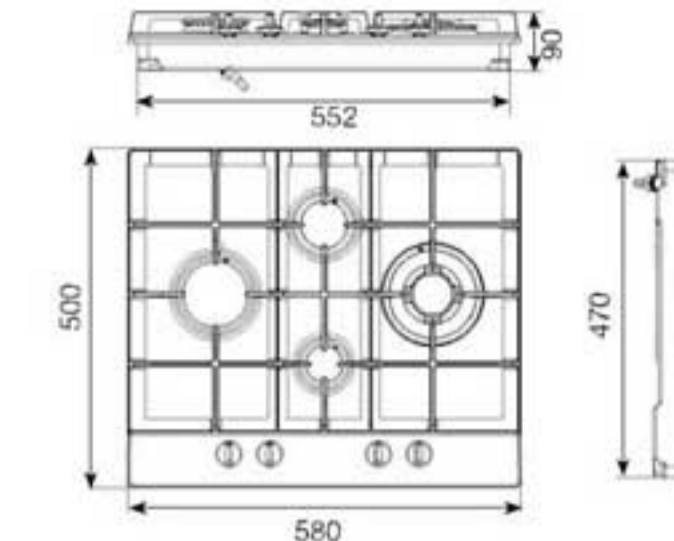
GHS705-FCI

Name	Gas stove	Half-Clipping burner	X 2
Code	GHS705-FCI	Accessorial burner	X 1
Width(cm)	70	Size(mm)	680X500X90
Material	stainless steel	Embedded Size(mm)	552x470
3-ring burner	X 1	Carton size(mm)	765x560x175
Clipping burner	X 1		



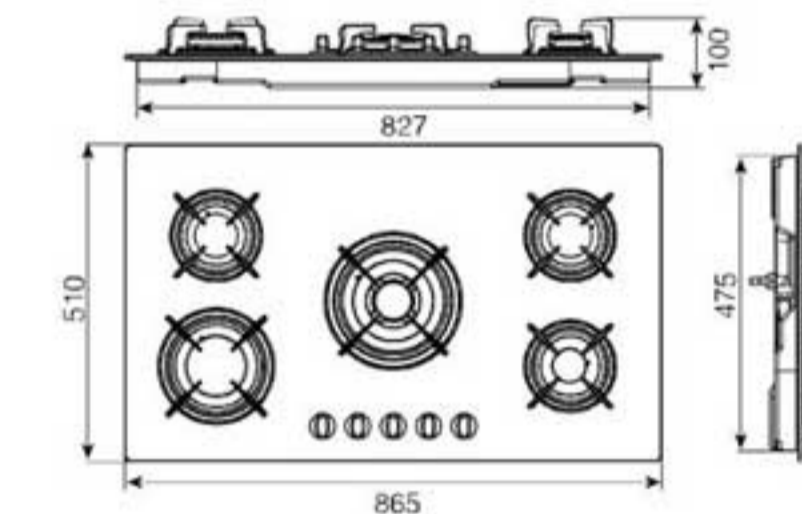
GH624AS-FCI

Name	Gas stove	Half-Clipping burner	X 1
Code	GH624AS-FCI	Accessorial burner	X 1
Width	60cm	Size(mm)	580X500X90mm
Material	Stainless steel	Embedded Size(mm)	552x470mm
3-ring burner	X 1	Carton size(mm)	640x550x175mm
Clipping burner	X 1		



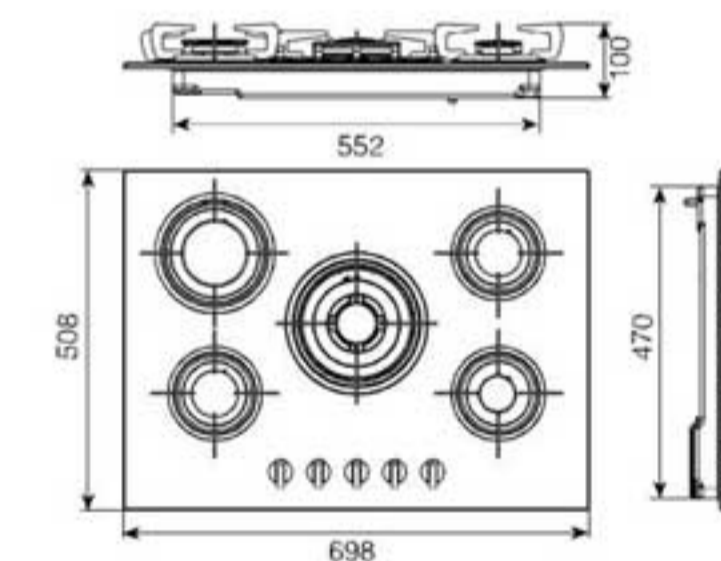
GHG915-ACB

Name	Gas stove	Half-Clipping burner	X 2
Code	GHG915-ACB	Accessorial burner	X 1
Width	90cm	Size(mm)	865X510X100mm
Material	Toughened Glass	Embedded Size(mm)	827x475mm
3-ring burner	X 1	Carton size(mm)	910x560x175mm
Clipping burner	X 1		



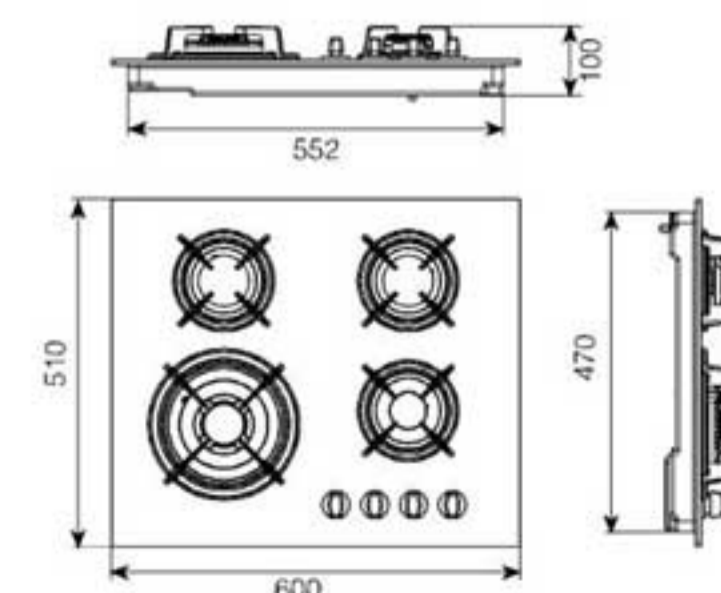
GHG705-ACB

Name	Gas stove	Half-Clipping burner	X 2
Code	GHG705-ACB	Accessorial burner	X 1
Width	60cm	Size(mm)	700X510X100
Material	Toughened Glass	Embedded Size(mm)	552x470
3-ring burner	X 1	Carton size(mm)	740x550x185
Clipping burner	/		



GHG604A-ACB

Name	Gas stove	Half-Clipping burner	X 2
Code	GHG604A-ACB	Accessorial burner	X 1
Width	60cm	Size(mm)	600X510X100
Material	Toughened Glass	Embedded Size(mm)	552x470
3-ring burner	X 1	Carton size(mm)	640x550x180
Clipping burner	/		

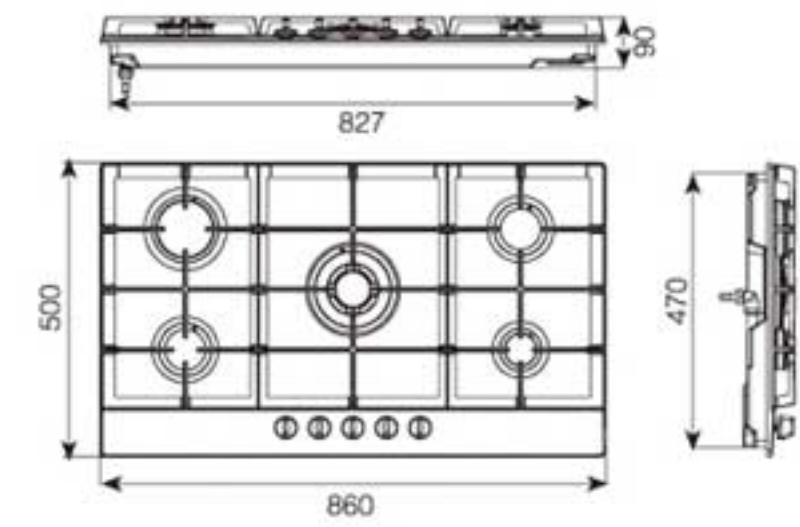




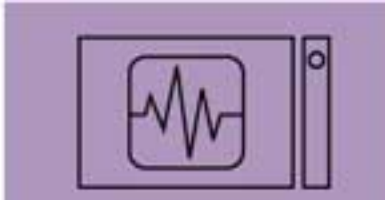


GHS915-FCI

Name	Gas stove	Half-Clipping burner	X 2
Code	GHS915-FCI	Accessorial burner	X 1
Width	90cm	Size(mm)	860X500X90
Material	Stainless steel	Embedded Size(mm)	827x470
3-ring burner	X 1	Carton size(mm)	945x560x170
Clipping burner	X 1		

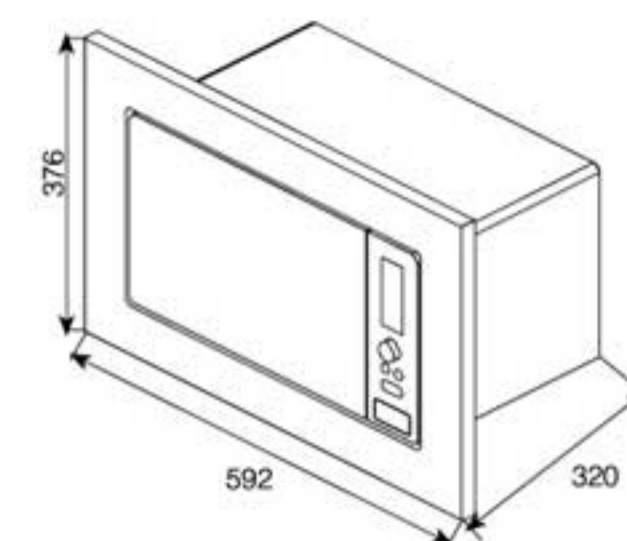






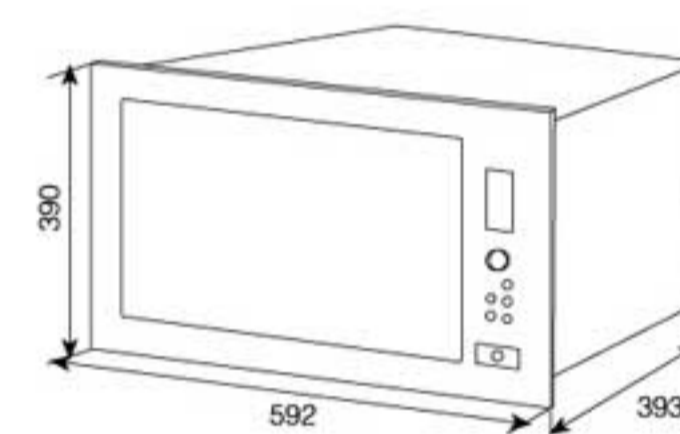
MW20-M605

Rated input power(W)	1080	Internal size(LxDxHmm)	315X296X211
Microwave output power(W)	700	Internal capacity(L)	20
Rated microwave frequency(Hz)	2450M	N.W.(Kg)	12
External dimensions(mm)	592X376X320	Noise(dB)	≤60
Built-in size(LxDxHmm)	564x350x364		



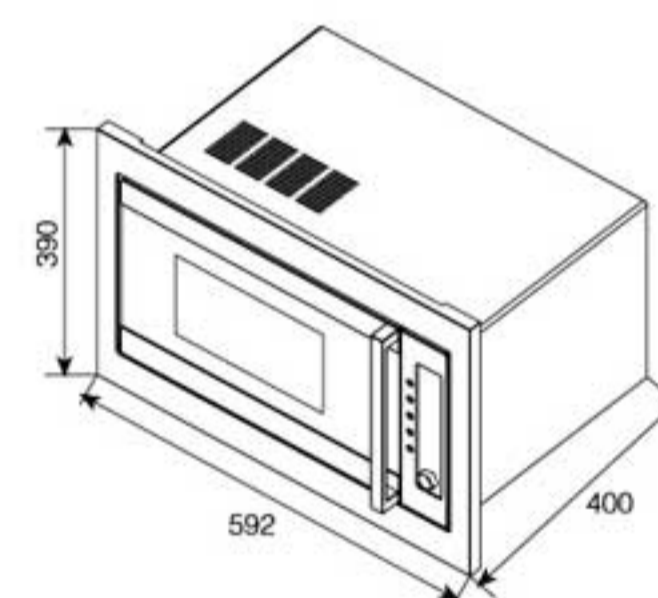
MW25-M604

Rated input power(W)	1300	Internal size(LxDxHmm)	330X215X330
Microwave output power(W)	800	Internal capacity(L)	25
Rated microwave frequency(Hz)	2450M	N.W.(Kg)	17.5
External dimensions(mm)	564X390X393	Noise(dB)	≤60
Built-in size(LxDxHmm)	564X550X370		



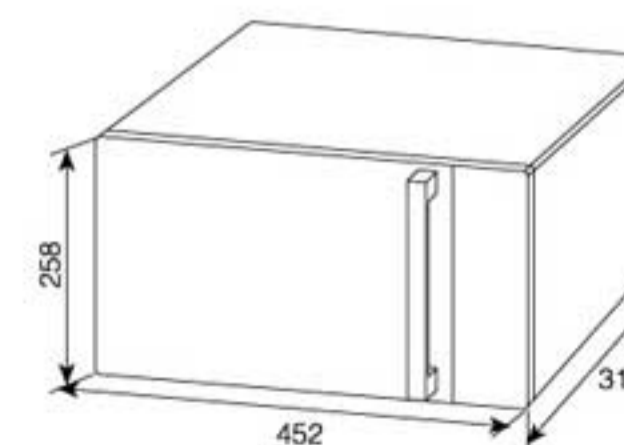
MW30-M601

Rated input power(W)	1450	Internal size(LxDxHmm)	350X372X232
Microwave output power(W)	900	Internal capacity(L)	30
Rated microwave frequency(Hz)	2450M	N.W.(Kg)	18.5
External dimensions(mm)	592X400X390	Noise(dB)	≤60
Built-in size(LxDxHmm)	564X450X360		



MW20-M301

Rated input power(W)	1080	Internal size(LxDxHmm)	294X280X180
Microwave output power(W)	700	Internal capacity(L)	20
Rated microwave frequency(Hz)	2450M	N.W.(Kg)	11
External dimensions(mm)	452X316X258	Noise(dB)	≤60







Oven







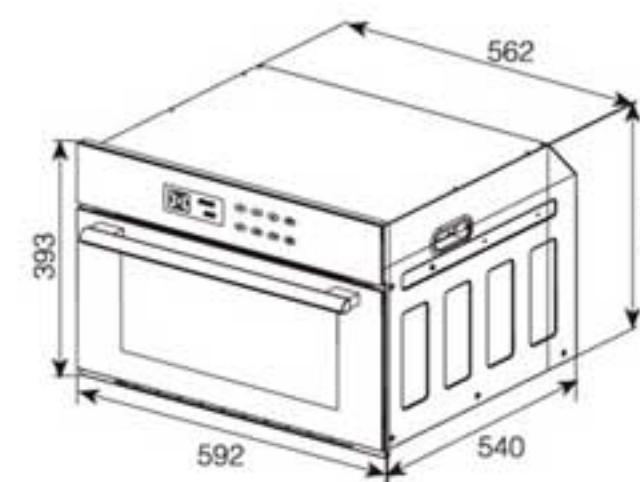
Oven

OPPEIN



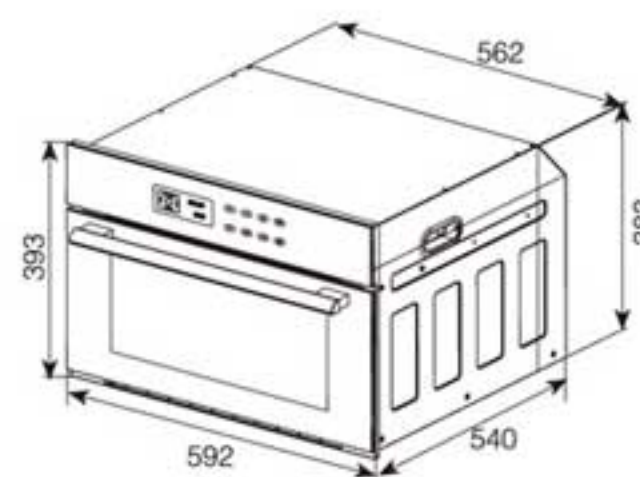
KWS168-K702

Cubage	36.8L	N.W.(kg)	33.5
Rated voltage(V~)	220	Hole size(LxWxHmm)	564X385X550
Rated power(W)	1680	Size(WxHxDmm)	592X393X560
Rated frequency (Hz)	50		



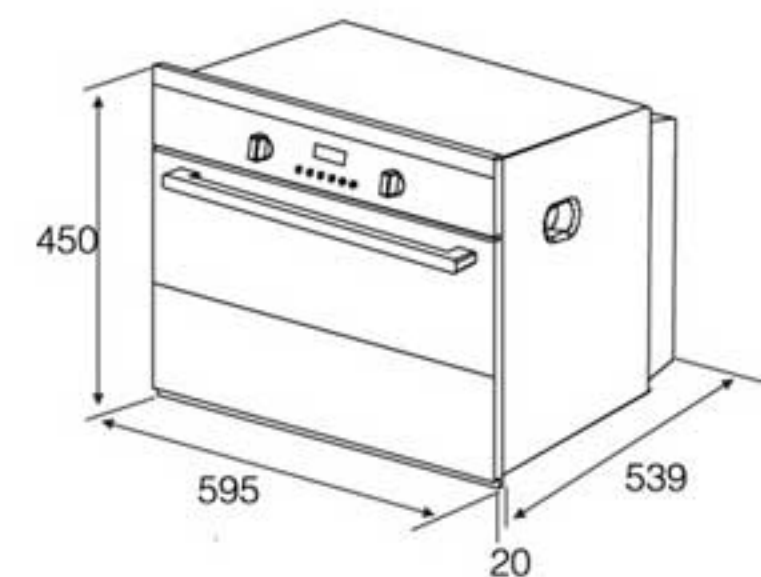
KWS168-K703

Cubage	36.8L	N.W.(kg)	33.5
Rated voltage(V~)	220	Hole size(LxWxHmm)	564X385X550
Rated power(W)	1680	Size(WxHxDmm)	592X393X560
Rated frequency (Hz)	50		



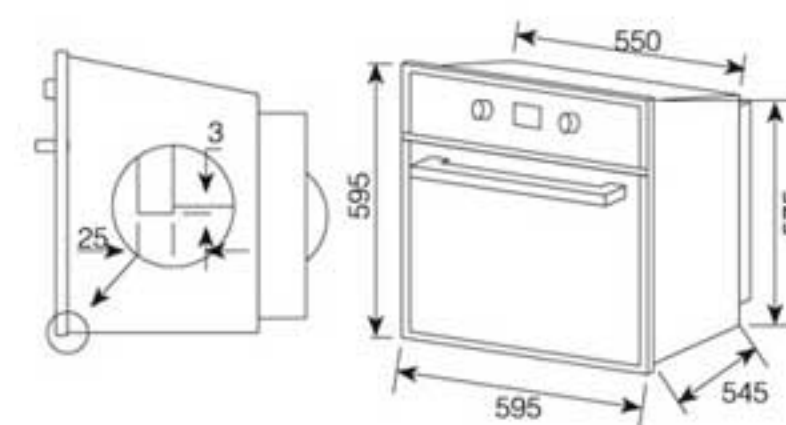
KWS230-K704

Cubage	38L	N.W.(kg)	31.5
Rated voltage(V~)	220	Hole size(LxWxHmm)	564X450X550
Rated power(W)	2300	Size(WxHxDmm)	595X455X570
Rated frequency (Hz)	50		



KWS295-K601

Cubage	56L	N.W.(kg)	40
Rated voltage(V~)	220	Hole size(LxWxHmm)	564X589X550
Rated power(W)	2950	Size(WxHxDmm)	595X597X570
Rated frequency (Hz)	50		

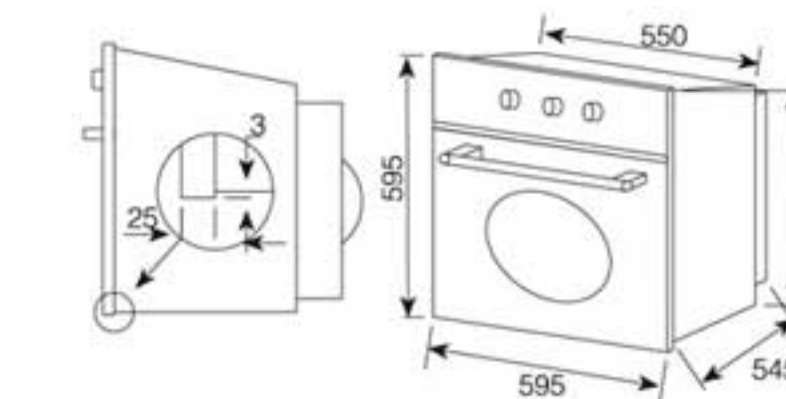


OPPEIN



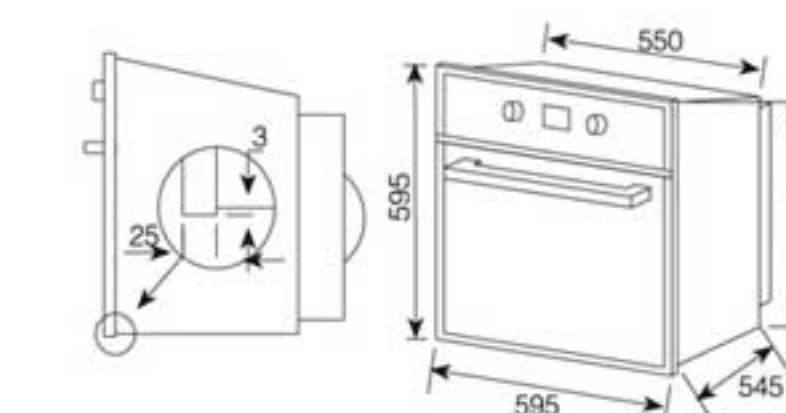
KWS295-K602

Cubage	56L	N.W.(kg)	40
Rated voltage(V~)	220	Hole size(LxWxHmm)	564X589X550
Rated power(W)	2950	Size(WxHxDmm)	595X597X570
Rated frequency (Hz)	50		



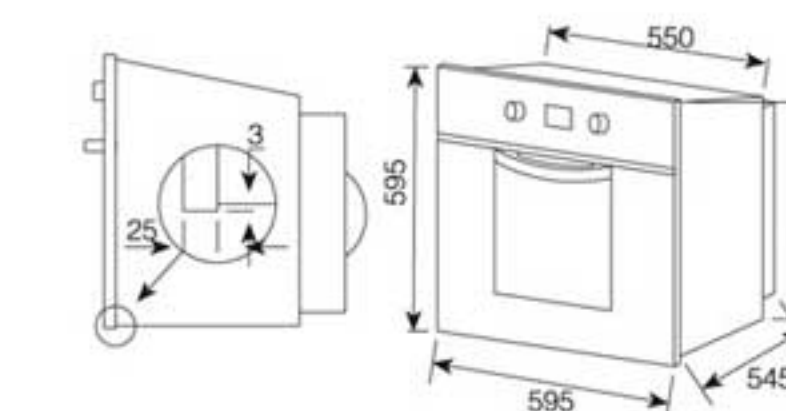
KWS295-K603

Cubage	56L	N.W.(kg)	40
Rated voltage(V~)	220	Hole size(LxWxHmm)	564X589X550
Rated power(W)	2950	Size(WxHxDmm)	595X597X570
Rated frequency (Hz)	50		



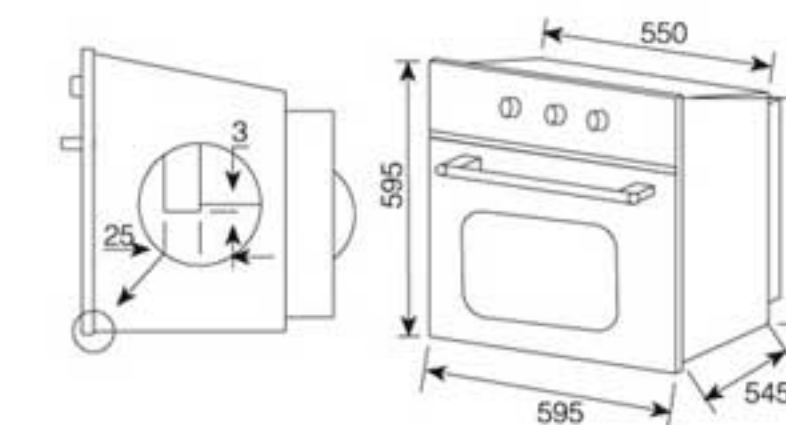
KWS295-K604

Cubage	56L	N.W.(kg)	40
Rated voltage(V~)	220	Hole size(LxWxHmm)	564X589X550
Rated power(W)	2950	Size(WxHxDmm)	595X597X570
Rated frequency (Hz)	50		



KWS295-K605

Cubage	56L	N.W.(kg)	40
Rated voltage(V~)	220	Hole size(LxWxHmm)	564X589X550
Rated power(W)	2950	Size(WxHxDmm)	595X597X570
Rated frequency (Hz)	50		







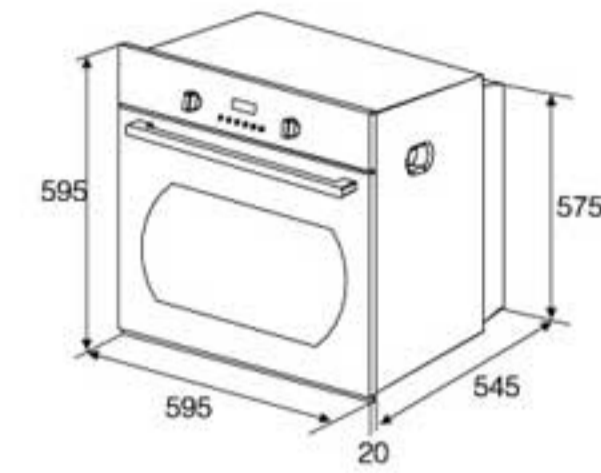
Oven

OPPEIN



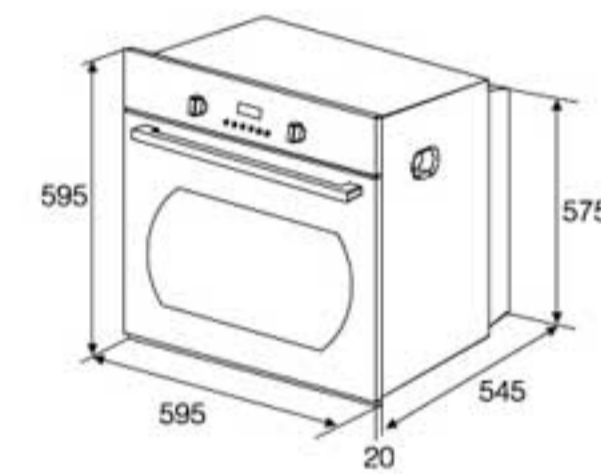
KWS295-K606

Cubage	56L	N.W.(kg)	40
Rated voltage(V~)	220	Hole size(LxWxHmm)	564X589X550
Rated power(W)	2950	Size(WxHxDmm)	595X597X570
Rated frequency (Hz)	50		



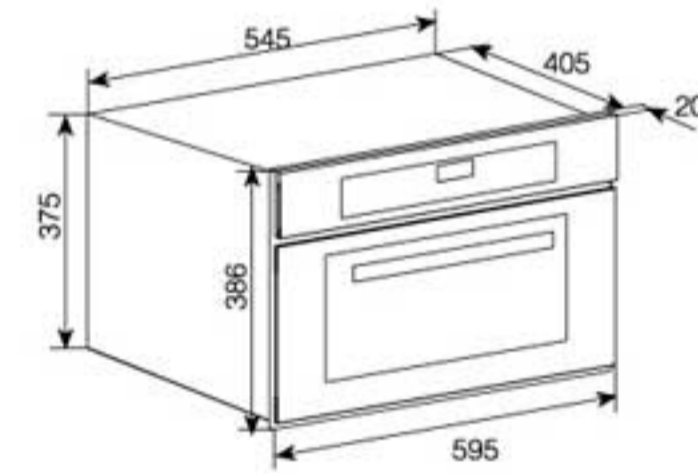
KWS300-K607

Cubage	56L	N.W.(kg)	43
Rated voltage(V~)	220	Hole size(LxWxHmm)	564X590X550
Rated power(W)	3000	Size(WxHxDmm)	595X595X566
Rated frequency (Hz)	50		



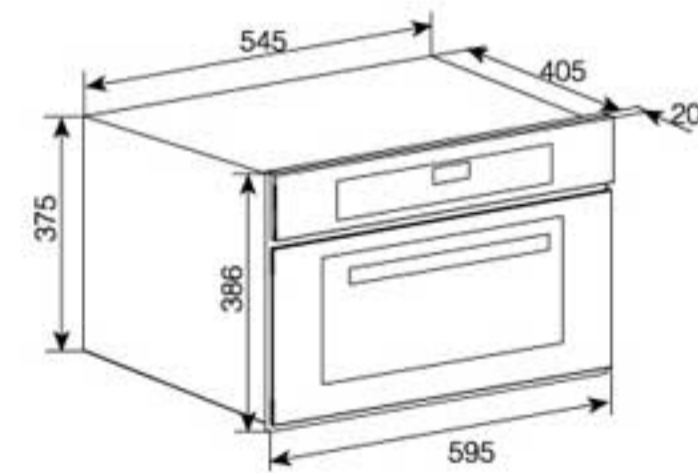
ST25-S702

Rated voltage(V~)	220	Internal capacity(L)	23.5
Rated frequency(Hz)	50	N.W.(Kg)	20.4
Rated input power(W)	1600	Size(WxHxDmm)	595X386X425
Water tank cubage(L)	2	Built-in Size(WxHxDmm)	564X380X550



ST25-S703

Rated voltage(V~)	220	Internal capacity(L)	23.5
Rated frequency(Hz)	50	N.W.(Kg)	20.4
Rated input power(W)	1600	Size(WxHxDmm)	595X386X425
Water tank cubage(L)	2	Built-in Size(WxHxDmm)	564X380X550



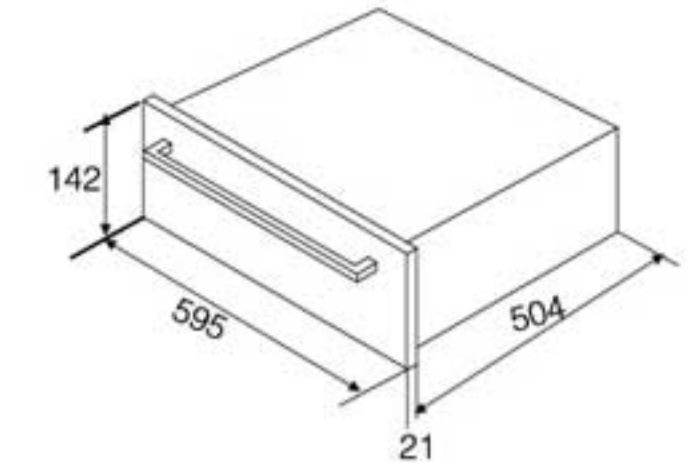
Warming Drawer

OPPEIN



WD15-W601

Rated voltage(V~)	220	Capacity(L)	6 sets
Rated frequency(Hz)	50	N.W.(Kg)	16.8
Rated input power(W)	380	Size(WxHxDmm)	595X142X525
		Built-in Size(WxHxDmm)	564X145X550





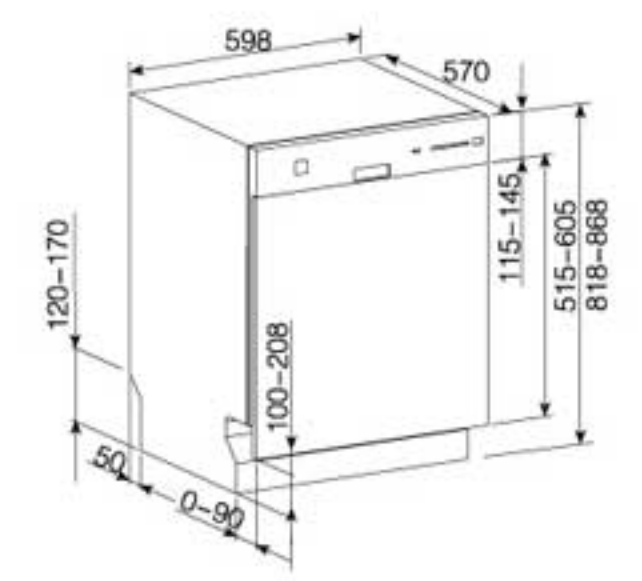


**OPPEIN**



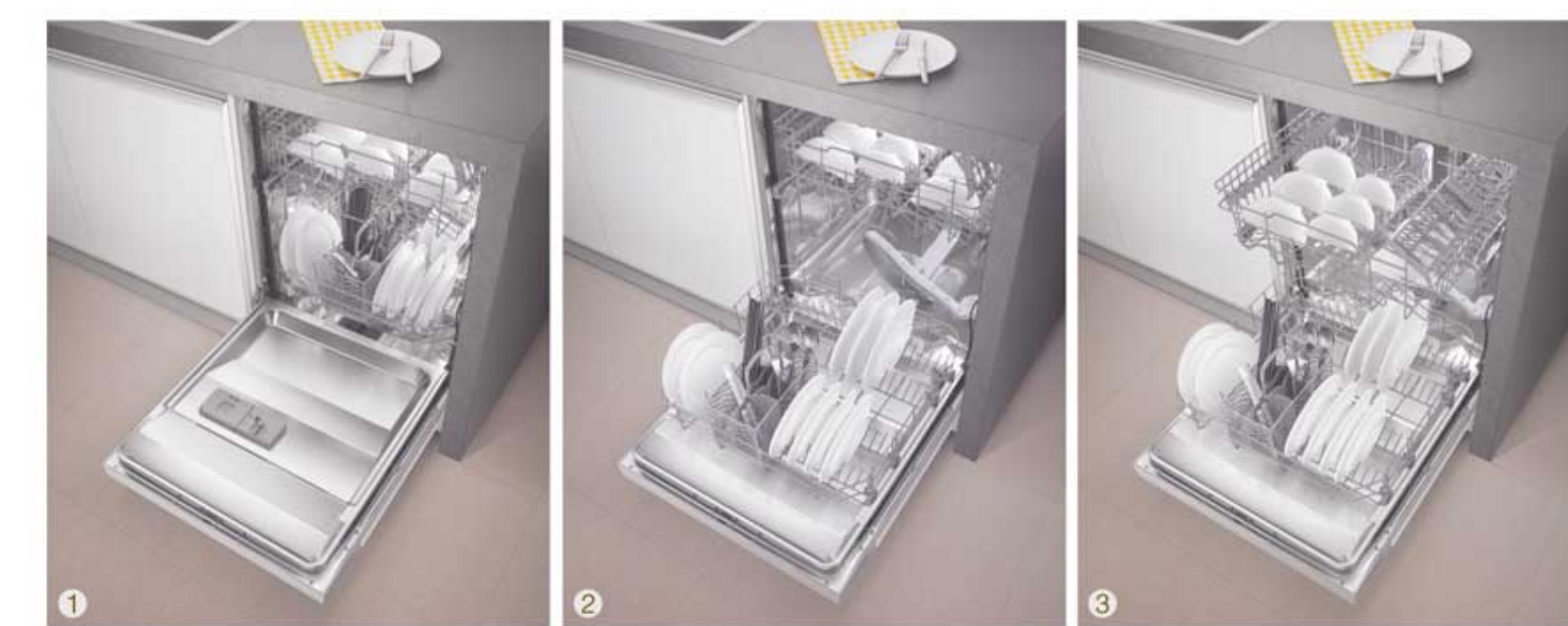
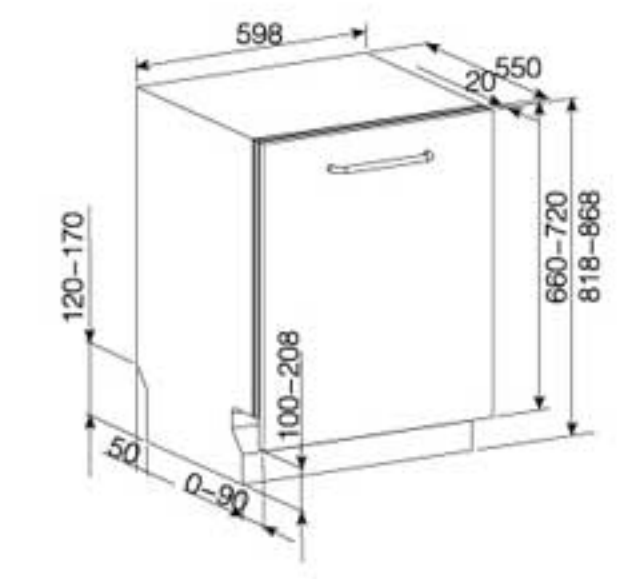
DW60-D601

Code	DW60-D601	Hot water temperature limit	60°C
Name	Half built-in dishwasher	Capacity	12 sets
Rated voltage(V~)	220	Drain connector	∅4cm
Rated frequency (Hz)	50	N.W.(Kg)	39.5
Rated power(W)	2000	Size(WxHxDmm)	600x818x570
Noise	50dB	Built-in Size(WxHxDmm)	600x820x575
Cold water pressure	Min0.05--max0.9Mpa	Carton Size(WxHxDmm)	650x890x670



DW60-D602

Code	DW60-D602	Hot water temperature limit	60°C
Name	Built-in dishwasher	Capacity	12 sets
Rated voltage(V~)	220	Drain connector	∅4cm
Rated frequency (Hz)	50	N.W.(Kg)	38
Rated power(W)	2000	Size(WxHxDmm)	600x818x570
Noise	50dB	Built-in Size(WxHxDmm)	600x820x575
Cold water pressure	Min0.05--max0.9Mpa	Carton Size(WxHxDmm)	650x890x670





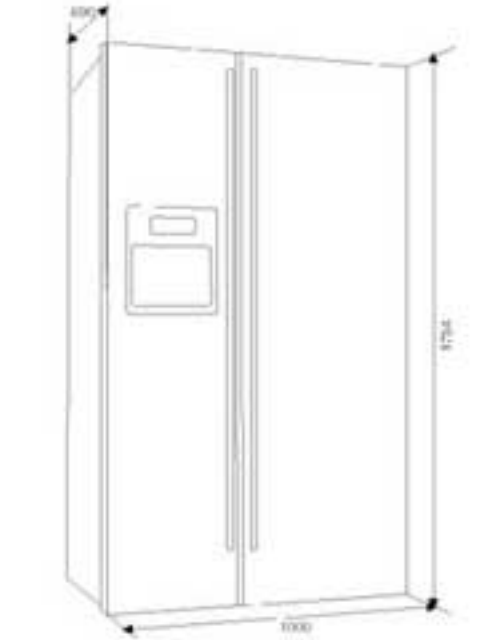


RFD100-R601

Rated voltage(V~)	220	Capacity(L)	690
Rated frequency(Hz)	50	N.W.(Kg)	128
Rated input power(W)	529	Size(WxHxDmm)	1000X1754X741

Features:

- ① Stainless steel side by side refrigerator with ice maker
- ② No frost, quickly freeze
- ③ Humidity controlled crisper for different type of food: Fish, meat, fruit and dairy
- ④ Antibacterial wall linings provide a hygienic atmosphere
- ⑤ Digital touch control, low temperature alarm and time display
- ⑥ Eco/Vacation mode - energy-efficient, automatic transform modes by self check function

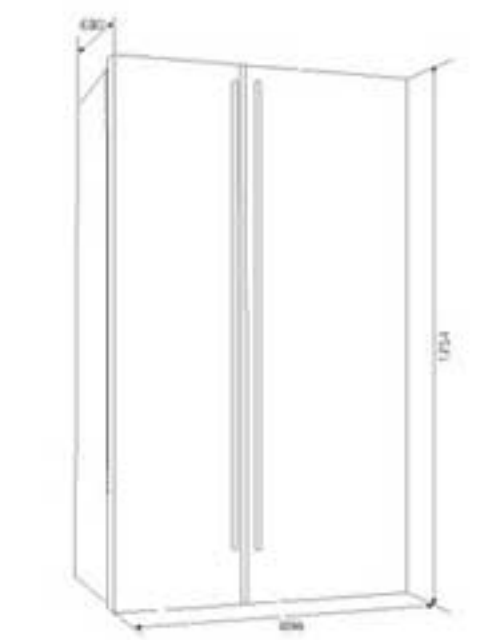


RFD100-R602

Rated voltage(V~)	220	Capacity(L)	600
Rated frequency(Hz)	50	N.W.(Kg)	112
Rated input power(W)	413	Size(WxHxDmm)	898X1754X741

Features:

- ① Stainless steel side by side refrigerator
- ② No frost, quickly freeze
- ③ Humidity controlled crisper for different type of food: Fish, meat, fruit and dairy
- ④ Antibacterial wall linings provide a hygienic atmosphere
- ⑤ Digital touch control, low temperature alarm and time display
- ⑥ Eco/Vacation mode - energy-efficient, automatic transform modes by self check function



RFD100-R601



RFD100-R602



# KITCHEN APPLIANCES & ACCESSORIES



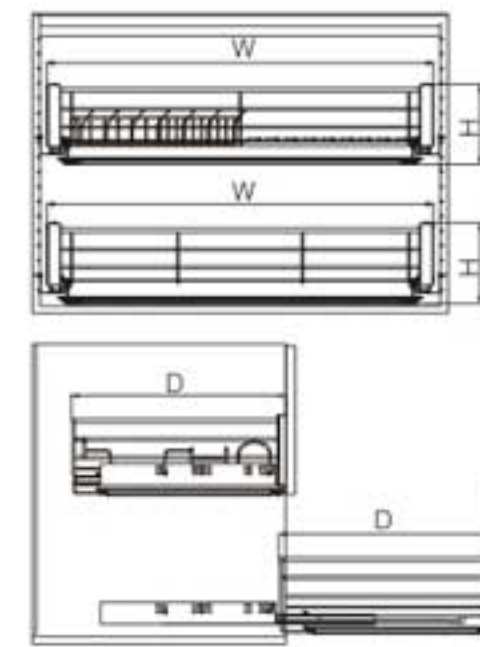
**Perfect Kitchen Zones**  
The most ideal zones based on ergonomics





Flate mesh pull out

Code	Name	
OP-LB060TLA	Flate mesh pull out 600	
OP-LB070TLA	Flate mesh pull out 700	
OP-LB080TLA	Flate mesh pull out 800	
OP-LB090TLA	Flate mesh pull out 900	
Specification(mm)	Carcase(mm)	Slide
W537 x D465 x H173	600	Oppein buffered slide
W637 x D465 x H173	700	Oppein buffered slide
W737 x D465 x H173	800	Oppein buffered slide
W837 x D465 x H173	900	Oppein buffered slide



Stainless steel flat mesh pull out

Code	Name	
OP-LB060TC	Stainless steel flat mesh pull out 600	
OP-LB070TC	Stainless steel flat mesh pull out 700	
OP-LB080TC	Stainless steel flat mesh pull out 800	
OP-LB090TC	Stainless steel flat mesh pull out 900	
Specification(mm)	Carcase(mm)	Slide
W537 x D465 x H173	600	Blum buffered slide
W637 x D465 x H173	700	Blum buffered slide
W737 x D465 x H173	800	Blum buffered slide
W837 x D465 x H173	900	Blum buffered slide

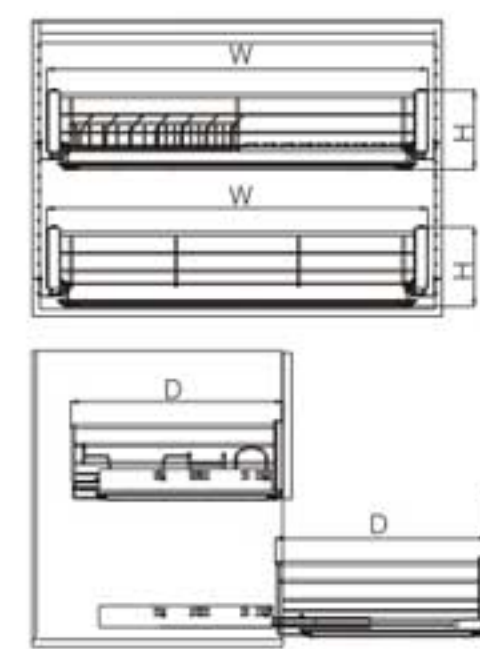
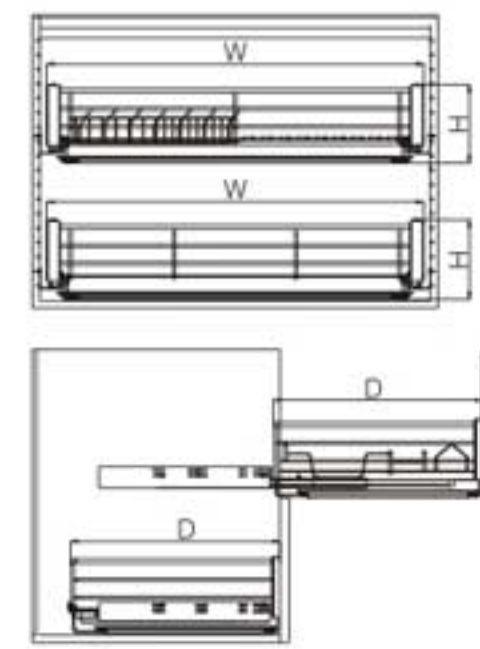


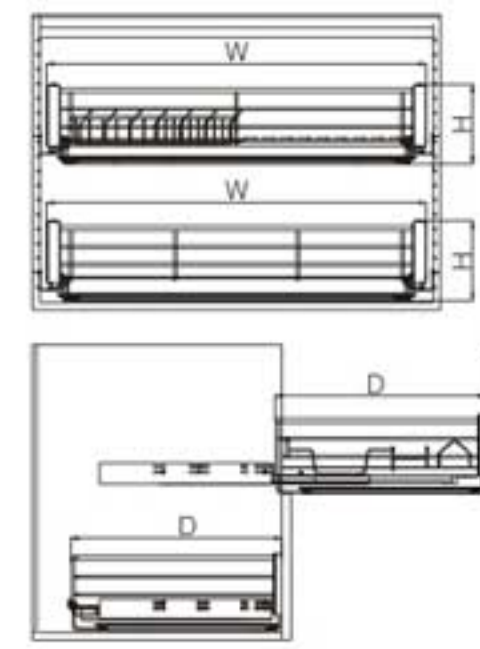
Plate pull out

Code	Name	
OP-LB060WLA	Plate pull out 600	
OP-LB070WLA	Plate pull out 700	
OP-LB080WLA	Plate pull out 800	
OP-LB090WLA	Plate pull out 900	
Specification(mm)	Carcase(mm)	Slide
W537 x D465 x H173	600	Oppein buffered slide
W637 x D465 x H173	700	Oppein buffered slide
W737 x D465 x H173	800	Oppein buffered slide
W837 x D465 x H173	900	Oppein buffered slide



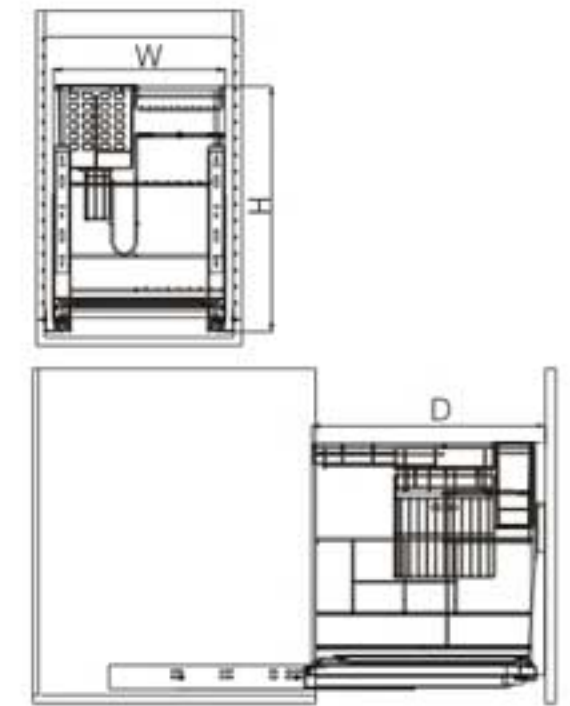
Stainless steel plate pull out

Code	Name	
OP-LB060WC	Stainless steel plate pull out 600	
OP-LB070WC	Stainless steel plate pull out 700	
OP-LB080WC	Stainless steel plate pull out 800	
OP-LB090WC	Stainless steel plate pull out 900	
Specification(mm)	Carcase(mm)	Slide
W537 x D465 x H173	600	Blum buffered slide
W637 x D465 x H173	700	Blum buffered slide
W737 x D465 x H173	800	Blum buffered slide
W837 x D465 x H173	900	Blum buffered slide



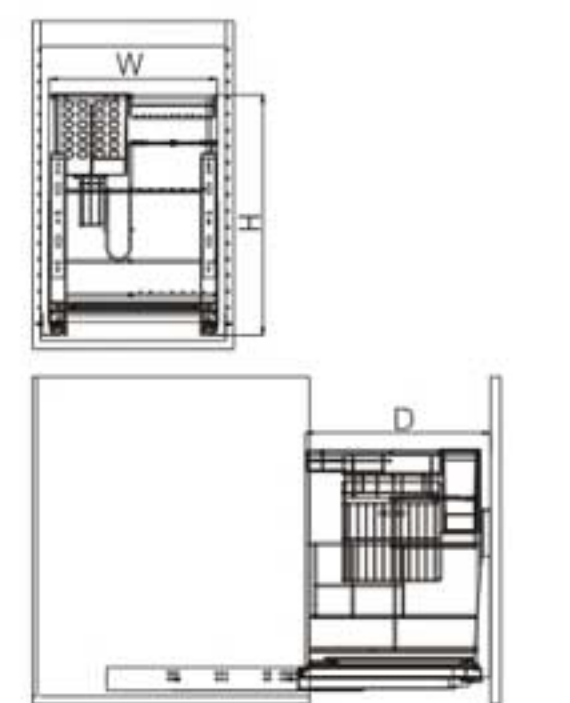
Stainless steel multifunctional pull out 400

Code	Name	
OP-LD030LB	Multifunctional pull out 300	
OP-LD035LB	Multifunctional pull out 350	
OP-LD040LB	Multifunctional pull out 400	
Specification(mm)	Carcase(mm)	Slide
W240 x D465 x H448	300	Oppein guide rail w/buffer (sidemount )
W290 x D465 x H478	350	Oppein guide rail w/buffer (sidemount )
W340 x D465 x H478	400	Oppein guide rail w/buffer (sidemount )



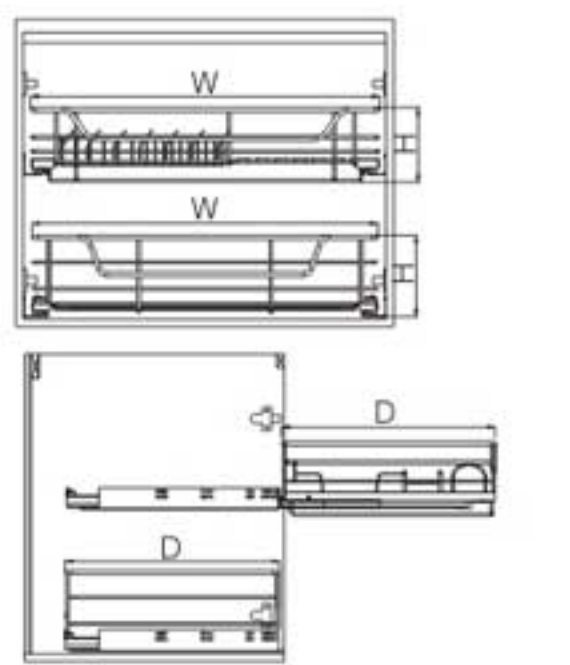
Stainless steel multifunctional pull out 400/450

Code	Name	
OP-LD045A	Stainless steel multifunctional pull out 450	
OP-LD040A-2	Stainless steel multifunctional pull out 400	
Specification(mm)	Carcase(mm)	Slide
W390 x D465 x H478	450	Blum buffered slide
W340 x D373 x H478	W≥400	Blum buffered slide



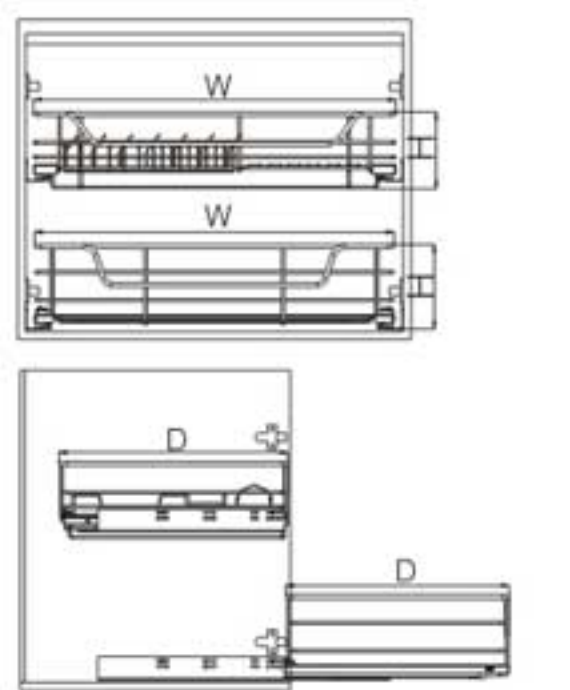
Stainless steel plate pull out

Code	Name	
OP-LA080WC	Stainless steel plate pull out 800	
OP-LA090WC	Stainless steel plate pull out 900	
Specification(mm)	Carcase(mm)	Slide
W735x D465x H152	800	Blum buffered slide
W835x D465x H152	900	Blum buffered slide



Stainless steel flat mesh pull out

Code	Name	
OP-LA060TC	Stainless steel flat mesh pull out 600	
OP-LA080TC	Stainless steel flat mesh pull out 800	
OP-LA090TC	Stainless steel flat mesh pull out 900	
Specification(mm)	Carcase(mm)	Slide
W535x D465x H152	600	Blum buffered slide
W735x D465x H152	800	Blum buffered slide
W835x D465x H152	900	Blum buffered slide

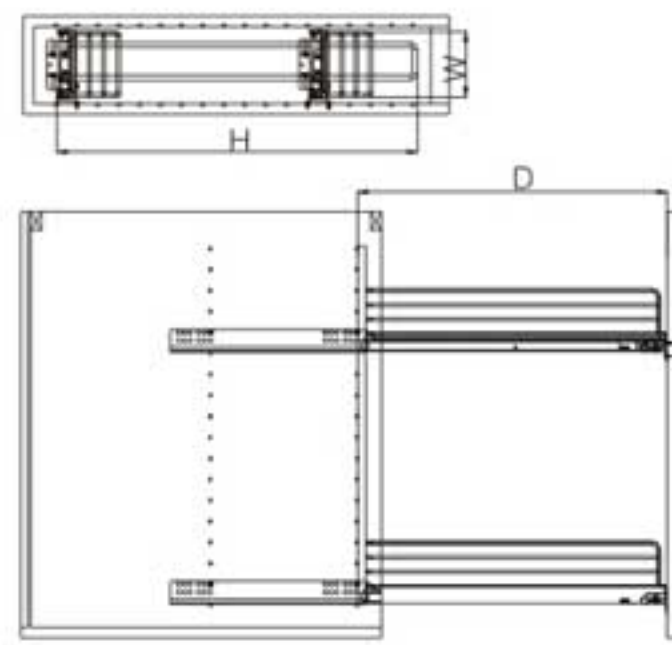






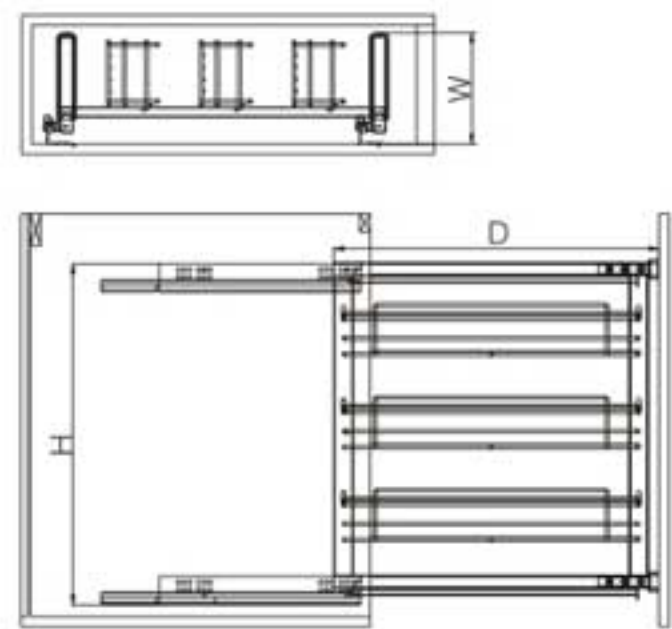
Turntable(right open)

Code	Name	
OP-LC015A	Side pull out basket 150	
Specification(mm)	Carcase(mm)	Slide
W105 x D465 x H538	150	Hettich buffered slide



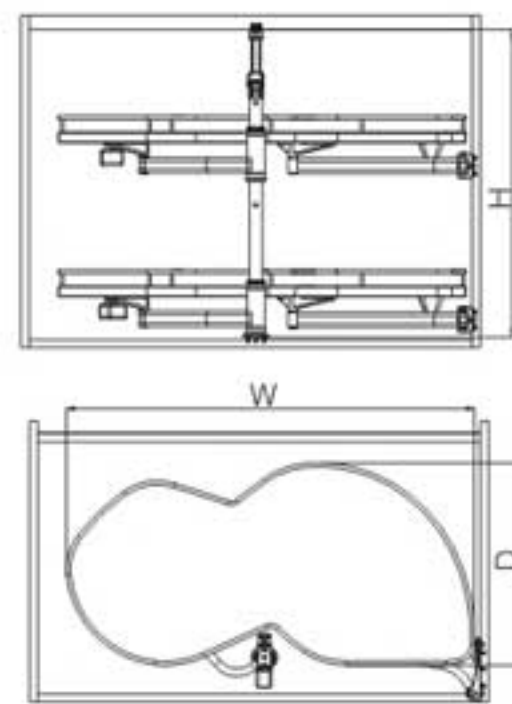
Side pull out basket 200

Code	Name	
OP-LC020BL	Side pull out basket 200 (left open)	
OP-LC020BR	Side pull out basket 200 (right open)	
Specification(mm)	Carcase(mm)	Slide
W158 x D465 x H577	200	Hettich buffered slide
W158 x D465 x H577	200	Hettich buffered slide



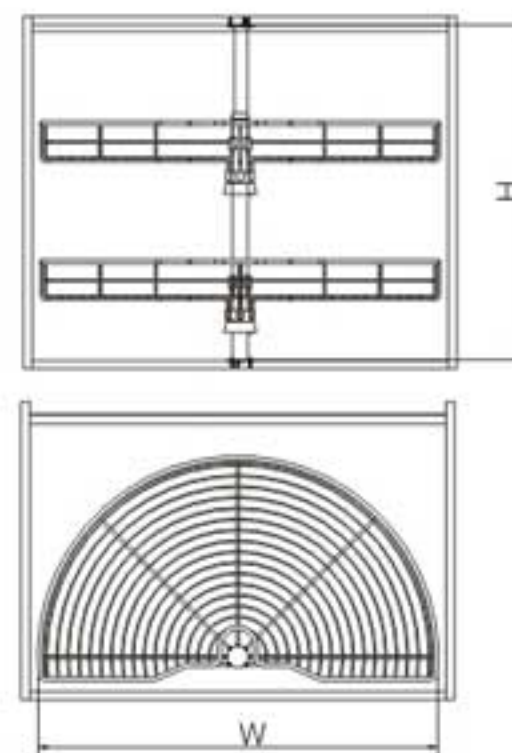
Turntable

Code	Name	
OP-LZ900FL	Turntable(left open)	
OP-LZ900FR	Turntable(right open)	
Specification(mm)	Carcase(mm)	Slide
W815 x D400 x H(600-700)	900-1000	W ≥ 450
W815 x D400 x H(600-700)	900-1000	W ≥ 450



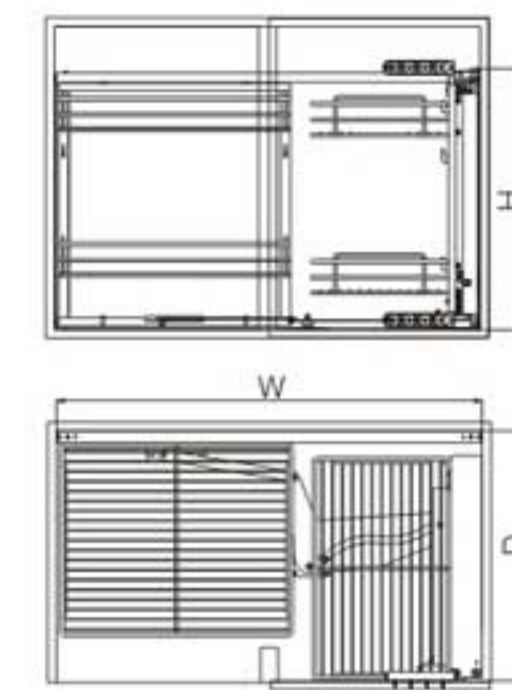
180 degree turntable

Code	Name	
OP-LZ180A	180 degree turntable	
Specification(mm)	Carcase(mm)	Slide
W740 x D400 x H(600-900)	900	W ≥ 450



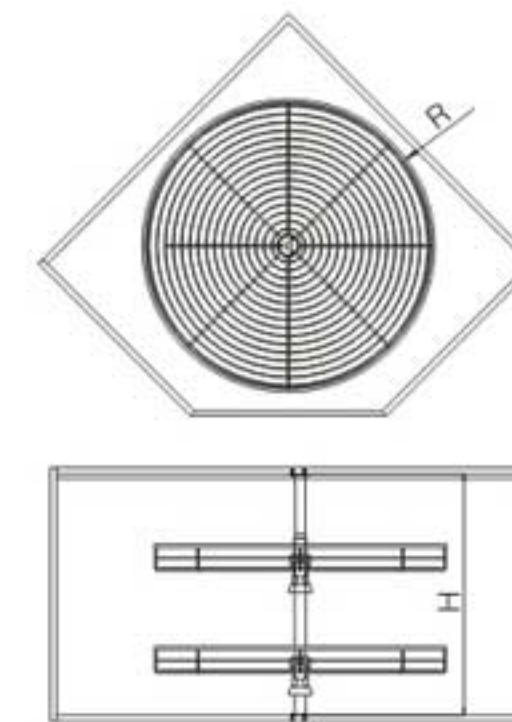
Lazy susan(right open)

Code	Name	
OP-LZ900L	Lazy susan(left open)	
OP-LZ900R	Lazy susan(right open)	
Specification(mm)	Carcase(mm)	Slide
W(860-968) x D(500-570) x H530	900-1000	W ≥ 400
W(860-968) x D(500-570) x H530	900-1000	W ≥ 400



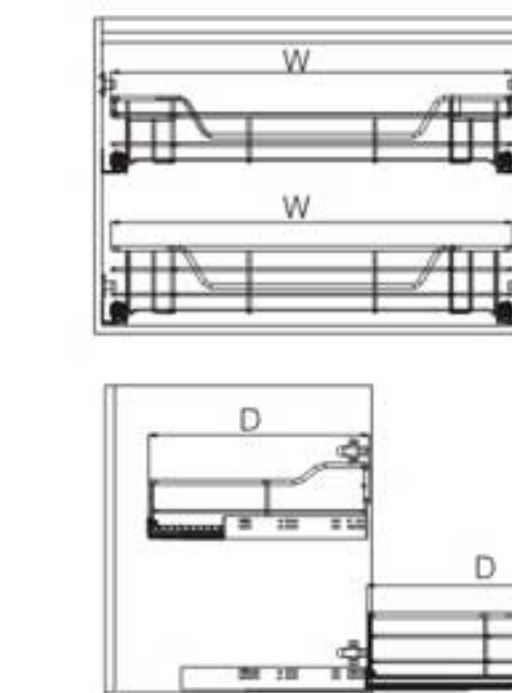
360 degree turntable

Code	Name	
OP-LZ360A	360 degree turntable	
Specification(mm)	Carcase(mm)	Slide
Φ750 x H(600-900)	900x900	



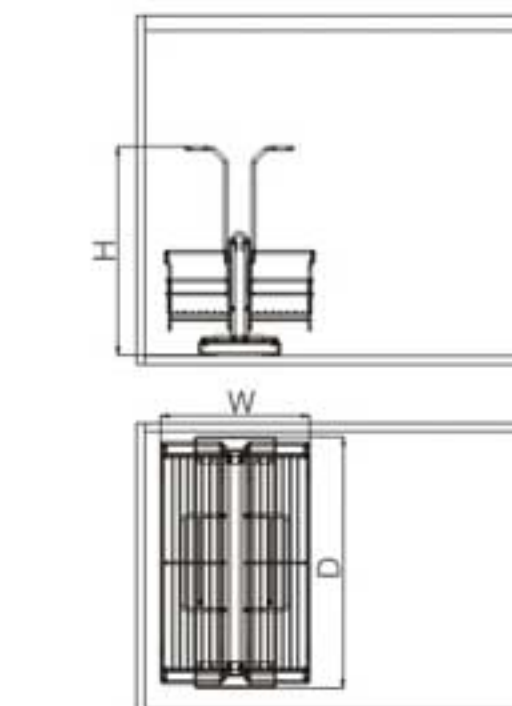
Stainless steel sink pull out

Code	Name	
OP-LA090SC	Stainless steel sink pull out top 900	
OP-LA090SD	Stainless steel sink pull out botton 900	
Specification(mm)	Carcase(mm)	Slide
W830 x D455 x H145	900	Blum buffered slide
W830 x D455 x H145	900	Blum buffered slide



Detergent pull out

Code	Name	
OP-LA020SA	Detergent pull out	
Specification(mm)	Carcase(mm)	Slide
W280 x D470 x H385	> 300	Oppein buffered slide







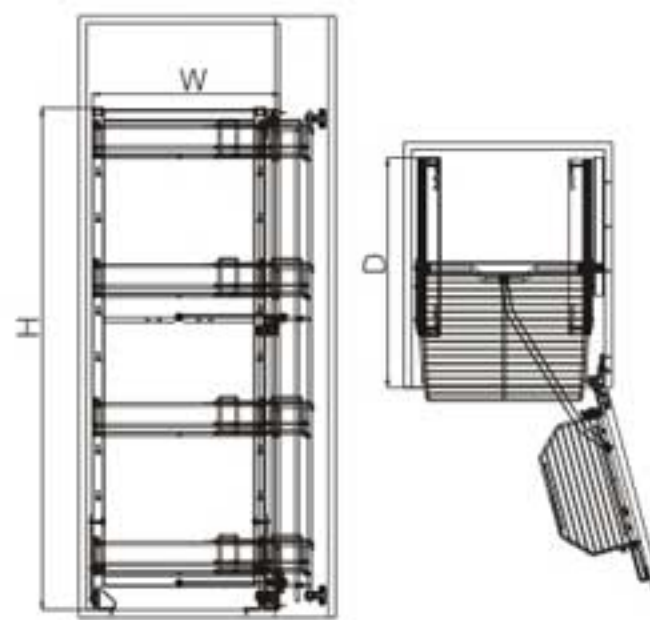
Flat mesh pull out

Code	Name	
OP-LG030MC	Medium pantry pull out 300(four layers)	
OP-LG030HC	Tall pantry pull out 300(six layers)	
Specification(mm)	Carcase(mm)	Slide
W250 x D500 x H(1259-1659)	300	
W250 x D500 x H(1849-2249)	300	



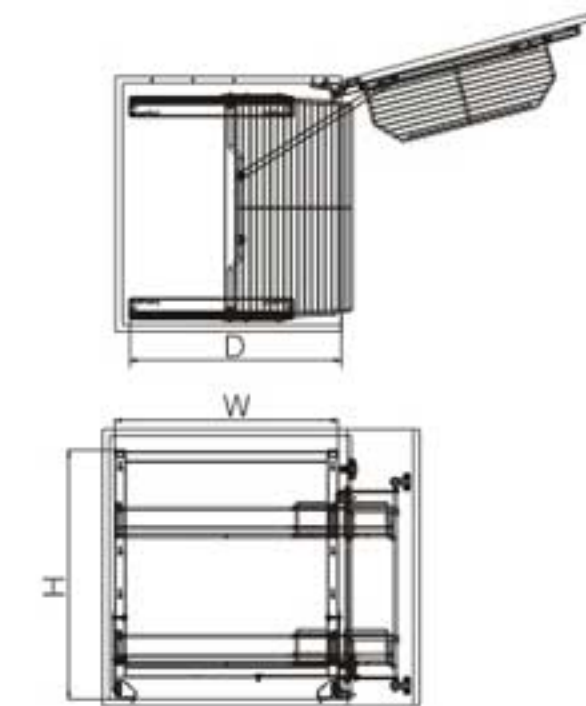
Tandem pull out for Medium(tall) cabinet

Code	Name	
OP-LK045MB	Tandem pull out for medium cabinet 450	
OP-LK060MB	Tandem pull out for medium cabinet 600	
OP-LK045HB	Tandem pull out for tall cabinet 450	
OP-LK060HB	Tandem pull out for tall cabinet 450	
Specification(mm)	Carcase(mm)	Slide
W410 x D500 x H1320	450	Ball slide
W560 x D500 x H1320	600	Ball slide
W410 x D500 x H1820	450	Ball slide
W560 x D500 x H1820	600	Ball slide



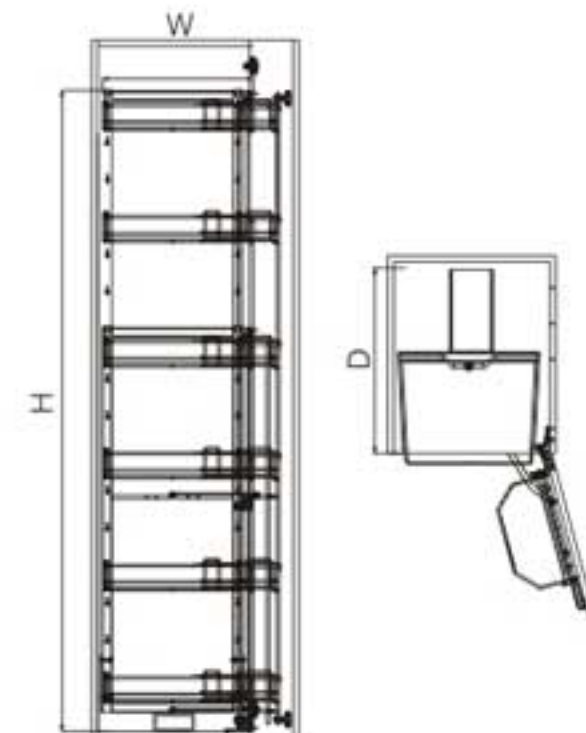
Tandem pull out for base cabinet

Code	Name	
OP-LK045A	Tandem pull out for base cabinet 450	
OP-LK060A	Tandem pull out for base cabinet 600	
Specification(mm)	Carcase(mm)	Slide
W410 x D500 x H585	450	Ball slide
W560 x D500 x H585	600	Ball slide



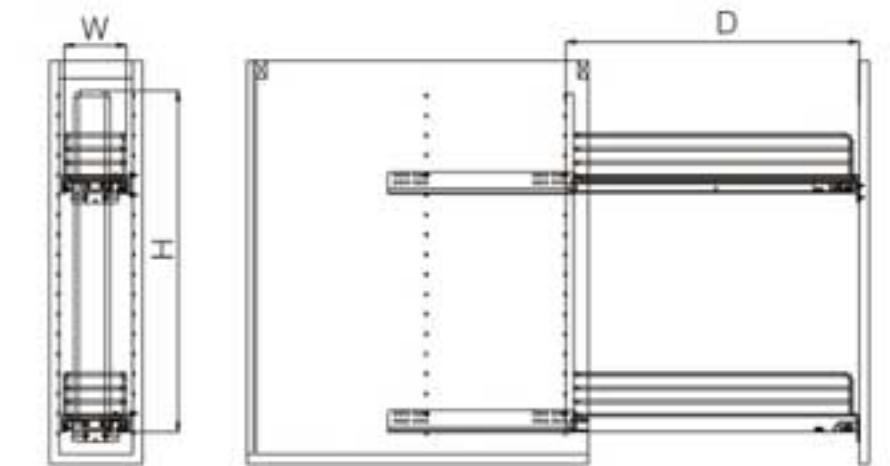
Tandem pull out for medium cabinet

Code	Name	
KSBM132A	Tandem pull out for medium cabinet	
KSBM134A	Tandem pull out for tall cabinet	
Specification(mm)	Carcase(mm)	Slide
H ≥ 1100	600	
H ≥ 1700	600	



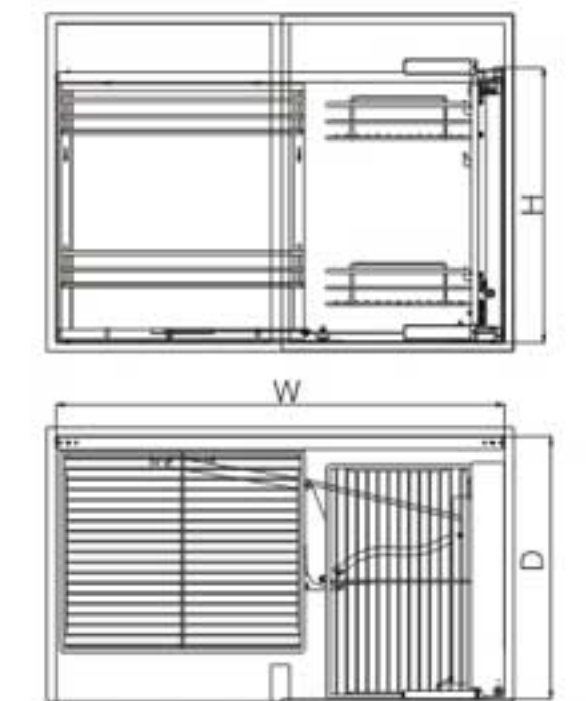
Spice buffered pull out

Code	Name	
KSBM221	Spice buffered pull out(Quick assembly)	
Specification(mm)	Carcase(mm)	Slide
H ≥ 540	150	



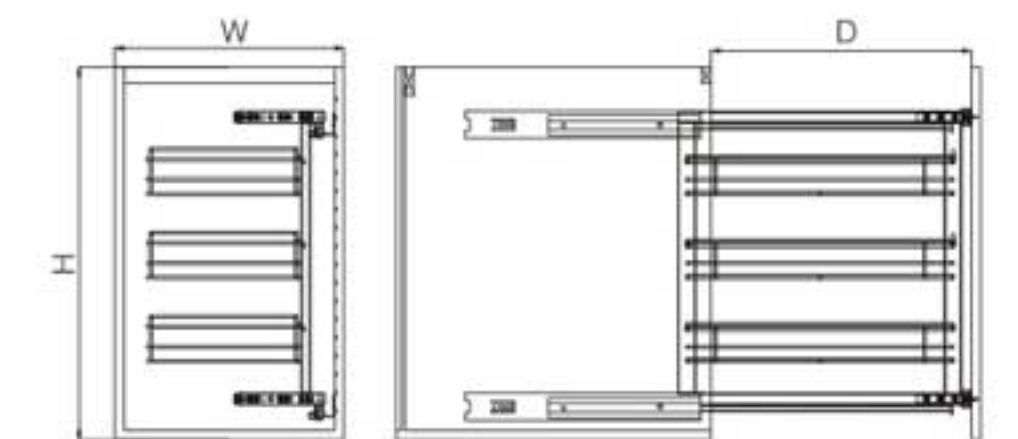
Corner pull out with buffer

Code	Name	
KSBM315L	Corner pull out with buffer(base cabinet)	
KSBM315R	Corner pull out with buffer(base cabinet)	
Specification(mm)	Carcase(mm)	Slide
H ≥ 540	860-970	
H ≥ 540	860-970	



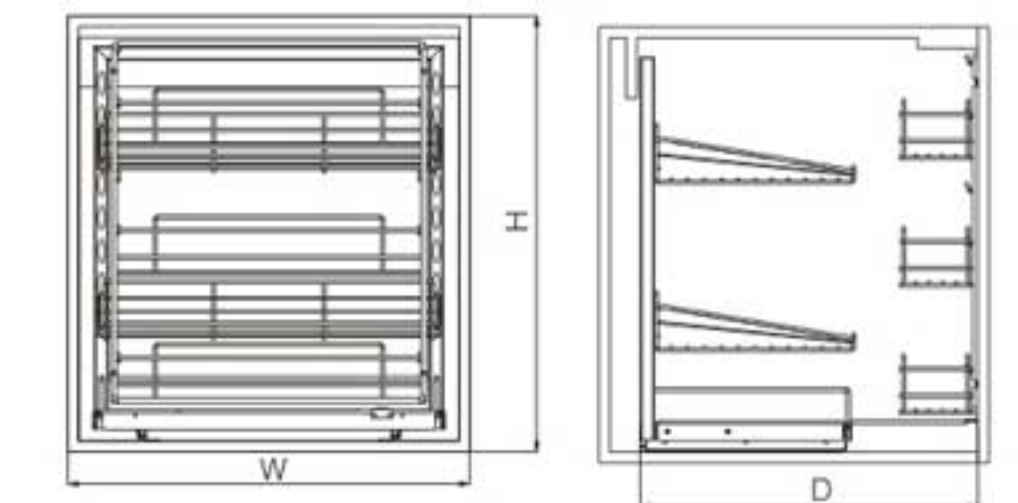
Side-type pull out for base cabinet

Code	Name	
KSBM205L	Side-type pull out for base cabinet	
KSBM205R	Side-type pull out for base cabinet	
Specification(mm)	Carcase(mm)	Slide
H ≥ 599	400	
H ≥ 599	400	



Stainless steel plate pull out

Code	Name	
KSBM291	Tandem pull out for base cabinet	
Specification(mm)	Carcase(mm)	Slide
H ≥ 605	600	







Stainless steel wire mesh basket pull-out

Code	Name
OP-LB080TD	Stainless steel wire mesh basket pull-out 800
OP-LB080WD	Stainless steel wire mesh basket pull-out 800

Specification(mm)	Carcase(mm)	Slide
W737 x D465 x H173	800	Blum buffered slide
W737 x D465 x H173	800	Blum buffered slide

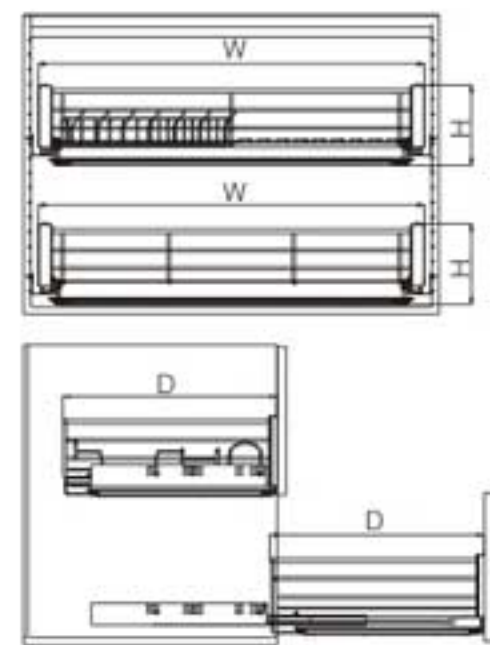
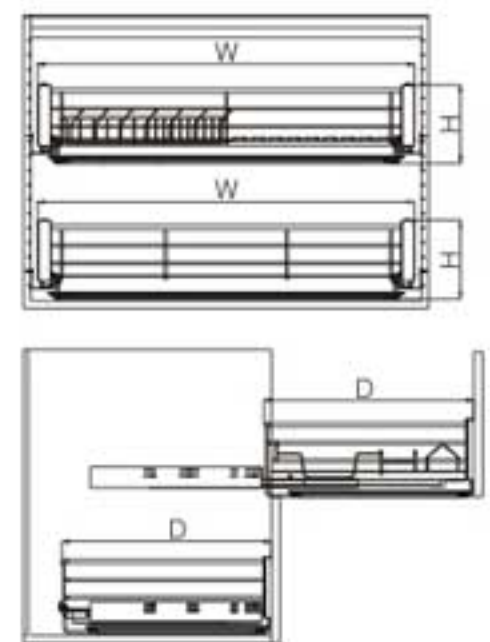


Plate pull out

Code	Name
OP-LB080WLA-1	Plate pull out 800

Specification(mm)	Carcase(mm)	Slide
W737 x D465 x H173	800	Oppein buffered slide

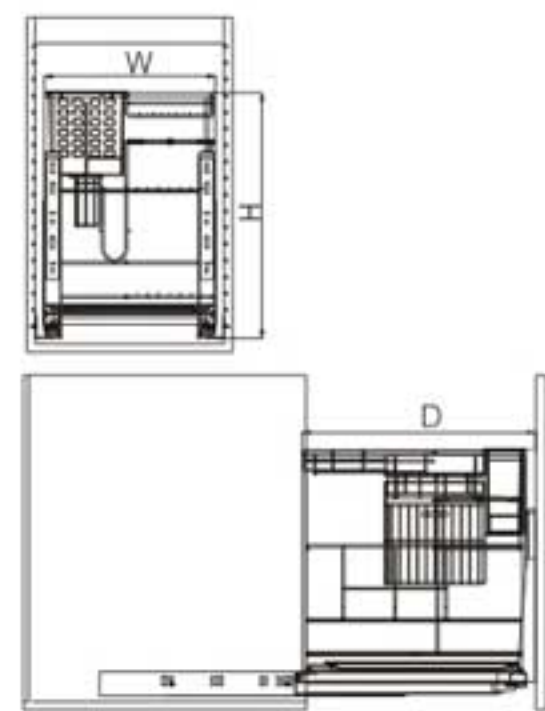


Stainless steel multifunctional pull out 450

Code	Name
OP-LD030B	Stainless steel multifunctional pull out 300
OP-LD035B	Stainless steel multifunctional pull out 350
OP-LD040B	Stainless steel multifunctional pull out 400
OP-LD045B	Stainless steel multifunctional pull out 450

Specification(mm)	Carcase(mm)	Slide
W240 x D465 x H448	300	Blum buffered slide
W290 x D465 x H478	350	Blum buffered slide
W340 x D465 x H478	400	Blum buffered slide
W390 x D465 x H478	450	Blum buffered slide

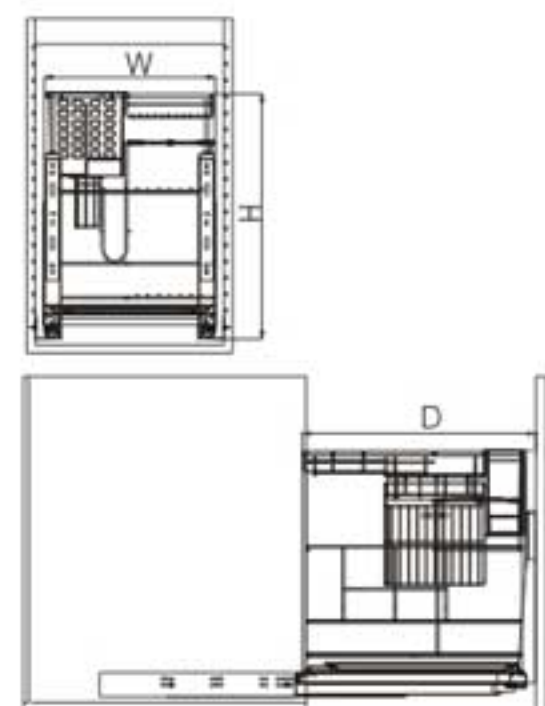


Stainless steel multifunctional pull out

Code	Name
OP-LD040C	Stainless steel multifunctional pull out 400

Specification(mm)	Carcase(mm)	Slide
W340 x D465 x H478	400	Blum buffered slide

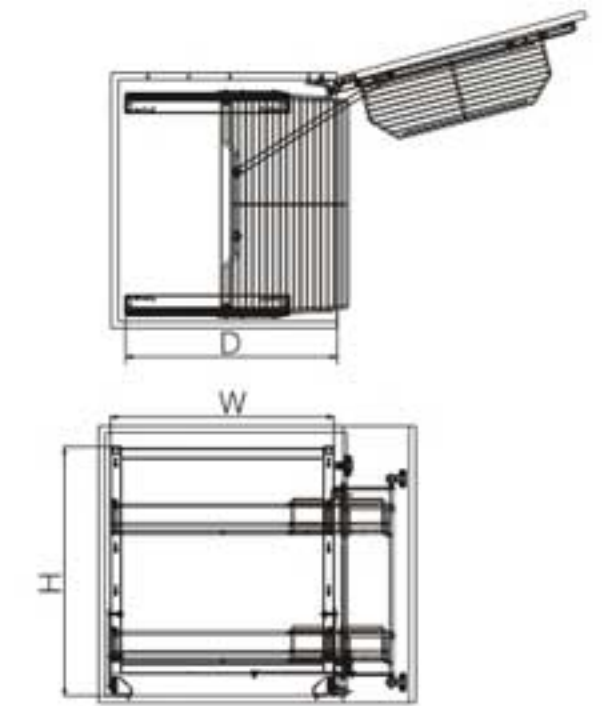


Tandem pull out for base cabinet

Code	Name
OP-060B	Tandem pull out for base cabinet 600

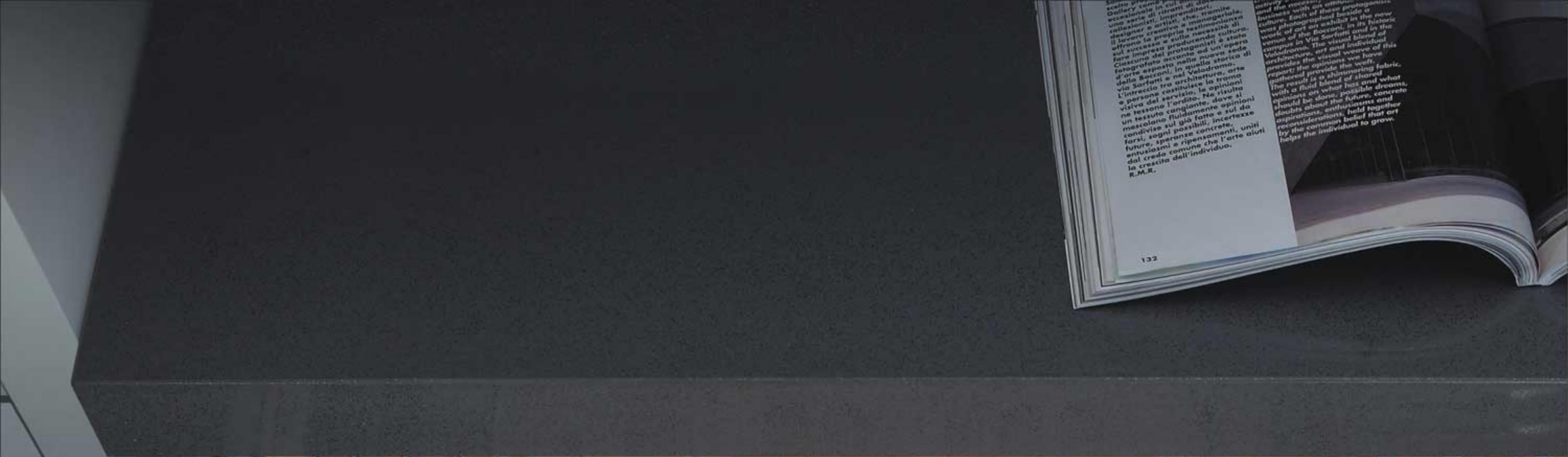
Specification(mm)	Carcase(mm)	Slide
W560 x D500 x H585	600	Ball slide



Cutlery divider







**OPPEIN**



Plastic cutlery divider

Code	Name
OP-CT045PP	Plastic cutlery divider 450
OP-CT050PP	Plastic cutlery divider 500
OP-CT060PP	Plastic cutlery divider 600
OP-CT090PP	Plastic cutlery divider 900
OP-CT100PP	Plastic cutlery divider 1000
Carcase(mm)	Slide
450	Blum metal-side slide rail 500MM
500	Blum metal-side slide rail 500MM
600	Blum metal-side slide rail 500MM
900	Blum metal-side slide rail 500MM
1000	Blum metal-side slide rail 500MM



Solid-wood cutlery divider

Code	Name
OP-CT050WPA	Solid-wood cutlery divider 500
OP-CT060WPA	Solid-wood cutlery divider 600
OP-CT090WPA	Solid-wood cutlery divider 900
OP-CT100WPA	Solid-wood cutlery divider 1000
Carcase(mm)	Slide
500	Blum metal-side slide rail 500MM
600	Blum metal-side slide rail 500MM
900	Blum metal-side slide rail 500MM
1000	Blum metal-side slide rail 500MM



Solid-wood divider bar

Code	Name
OP-CT050WF	Solid-wood divider bar 500
OP-CT060WF	Solid-wood divider bar 600
OP-CT090WF	Solid-wood divider bar 900
OP-CT100WF	Solid-wood divider bar 1000
Carcase(mm)	Slide
500	Blum metal-side slide rail 500MM
600	Blum metal-side slide rail 500MM
900	Blum metal-side slide rail 500MM
1000	Blum metal-side slide rail 500MM



Blum cutlery box

Code	Name
Blum050SP	Blum cutlery box 500
Blum060SP	Blum cutlery box 600
Blum090SP	Blum cutlery box 900
Blum100SP	Blum cutlery box 1000
Carcase(mm)	Slide
500	Blum metal-side slide rail 500MM
600	Blum metal-side slide rail 500MM
900	Blum metal-side slide rail 500MM
1000	Blum metal-side slide rail 500MM







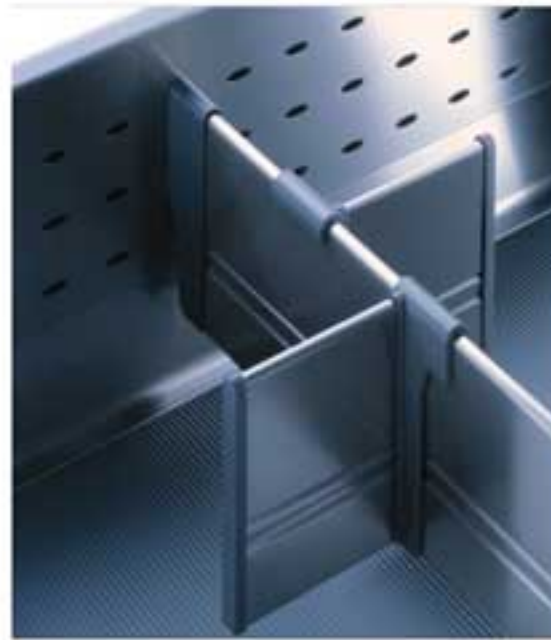
Drawer

OPPEIM



Blum350

Code	Name	Slide
Blum350	Blum plate organizer	D(180-320)xH170
<b>Remark</b>		
Quantity based on the internal size of the drawer and the practical needs		

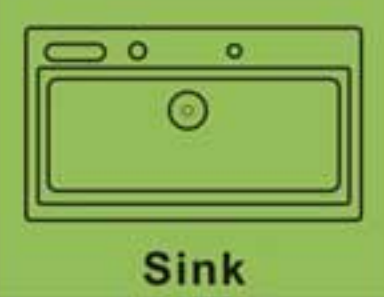


Blum divider bar

Code	Name	Slide
Blum050PF	Blum divider bar 500mm	Blum metal-side slide rail 500MM
Blum060PF	Blum divider bar 600mm	Blum metal-side slide rail 500MM
Blum090PF	Blum divider bar 900mm	Blum metal-side slide rail 500MM
Blum100PF	Blum divider bar 1000mm	Blum metal-side slide rail 500MM
<b>Carcase(mm)</b>		<b>Remark</b>
500		W/2 layers side panel(with honeycombed holes)
600		W/2 layers side panel(with honeycombed holes)
900		W/2 layers side panel(with honeycombed holes)
1000		W/2 layers side panel(with honeycombed holes)







Sink

OPPEIN



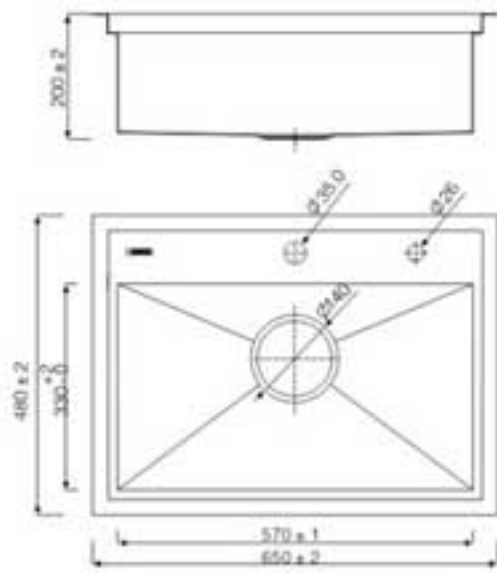
OP-PS9110-TC



ST25

Code	OP-PS9110-TC
Specification(mm)	W650xD480xH200
Surface	Satin finish

Package: ST25+ZT05A+DS17+X038A



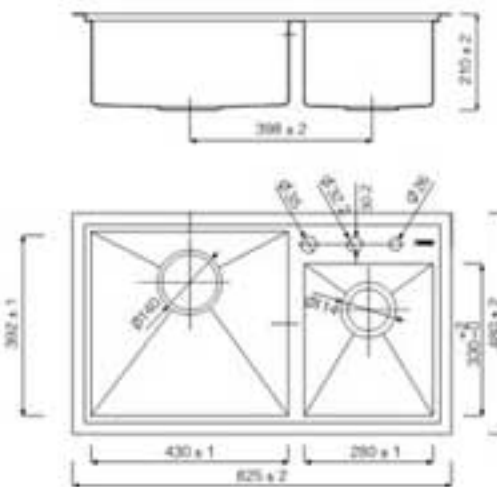
OP-PS9213-TC



ST26

Code	OP-PS9213-TC
Specification(mm)	W825xD480xH200
Surface	Satin finish

Package: ST26+ZT05A+DS17+DP07B+CB11+X041A



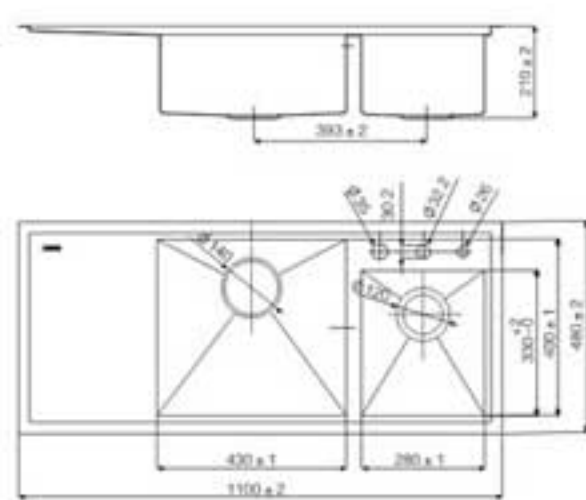
OP-PS9214-TC



ST18A

Code	OP-PS9214-TC
Specification(mm)	W1100xD480xH210
Surface	Satin finish

Package: ST18A+ZT05A+DS17+DP07B+CB11+X041A



ZT05A

DS17

DP07B

CB11

WEIMARER





Sink

OPPEIN



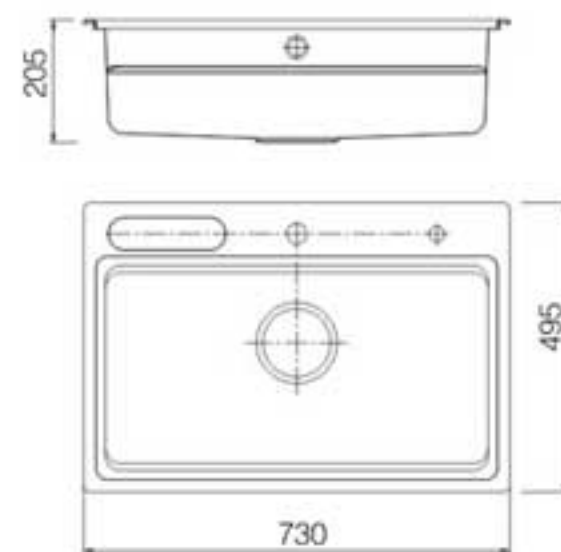
OP-PS922C-TC



ST10A

Code	OP-PS922C-TC
Specification(mm)	W730 x D495 x H205
Surface	Satin finish

Package: ST10A+ZT05A+DP13+DS01B+DS02A+CB01B+DP14+DP11+CD03+X038A



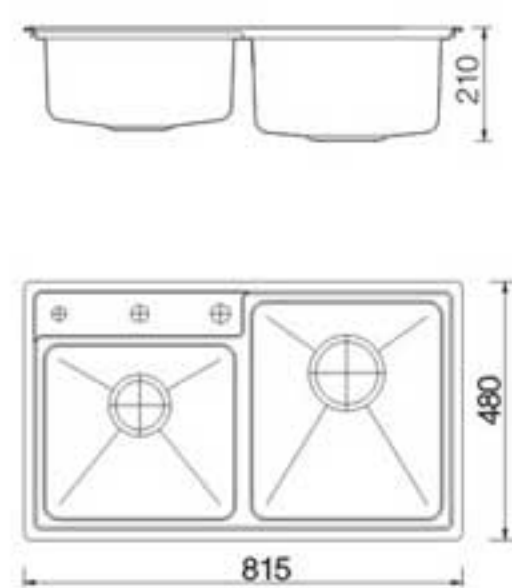
OP-PS9210-TC



ST08A

Code	OP-PS9210-TC
Specification(mm)	W815 x D480 x H210
Surface	Satin finish

Package: ST08A+ZT05A+DP10A+DP13+CB10+X041A



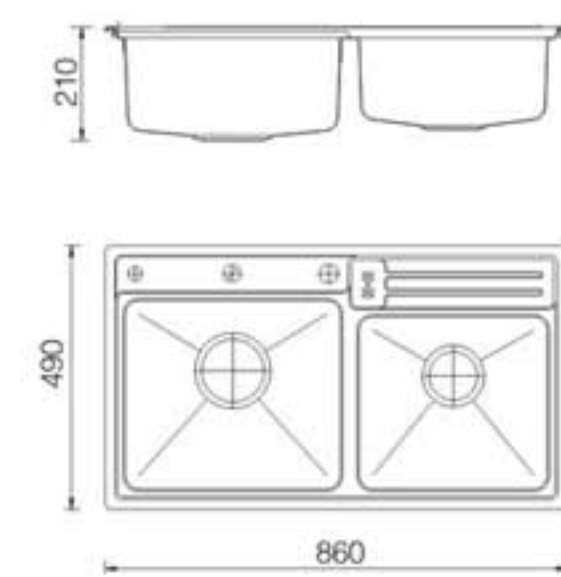
OP-PS9211-TC



ST09B

Code	OP-PS9211-TC
Specification(mm)	W860 x D490 x H210
Surface	Satin finish

Package: ST09B+ZT05A+DP10A+DP13+CB10+X042A



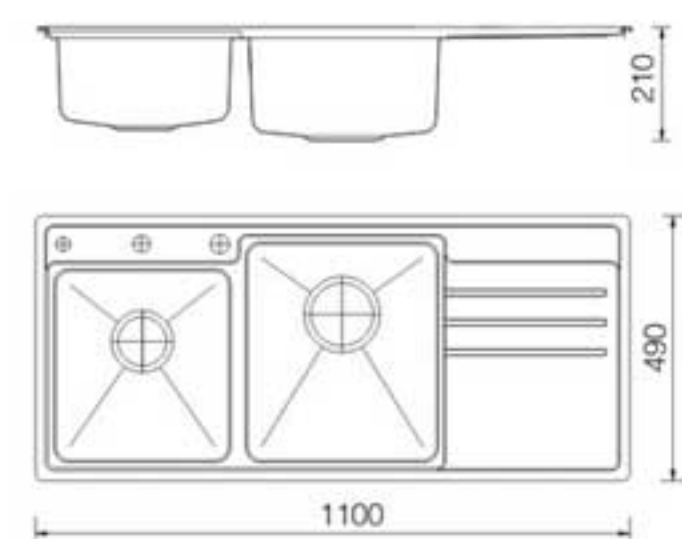
OP-PS9212-TC



ST18A

Code	OP-PS9212-TC
Specification(mm)	W1100 x D490 x H210
Surface	Satin finish

Package: ST18A+ZT05A+DP10A+DS10+CB09+X041A



ZT05A

DP13

DS01B

DS02A

CB01B

DS10

CB09

CB10

DP10A

DP11+CD03

GOTEBORG







Sink

OPPEIN



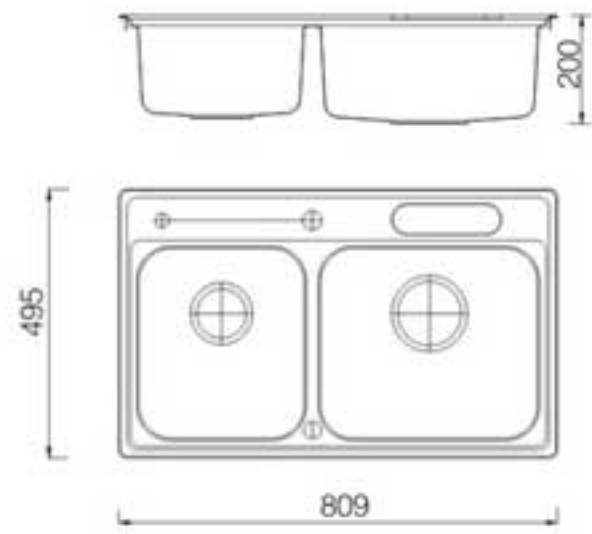
OP-PS924C-TC



ST07A

Code	OP-PS924C-TC
Specification(mm)	W809 x D495 x H200
Surface	Satin finish

Package: ST07A+ZT04A+DP10A+DP13+CB10+DP14+DP11+CD03+X041A



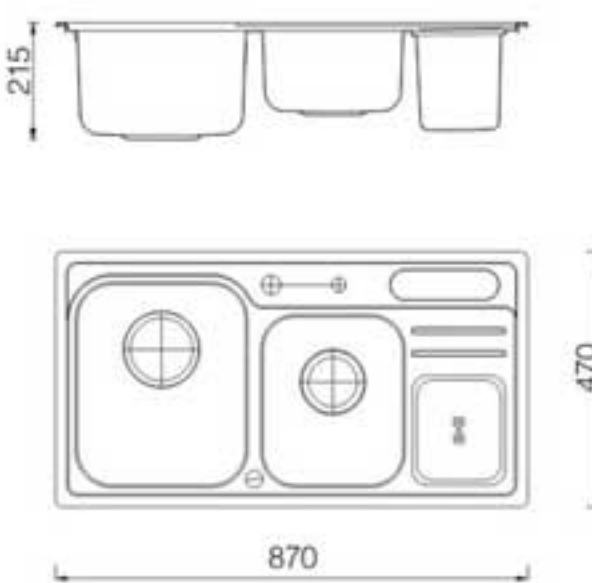
OP-PS926A-TC



ST07A

Code	OP-PS926A-TC
Specification(mm)	W870 x D470 x H215
Surface	Satin finish

Package: ST07A+ZT04A+DP13+DP07B+DP03A+DP14+DP11+CD03+X042A



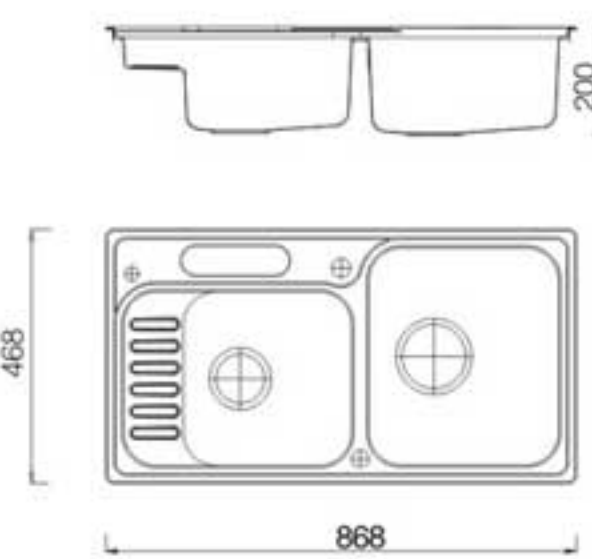
OP-PS928A-TC



ST12A

Code	OP-PS928A-TC
Specification(mm)	W868 x D468 x H200
Surface	Satin finish

Package: ST12A+ZT04A+DP13+DP07B+CB10+DP14+DP11+CD03+X041A



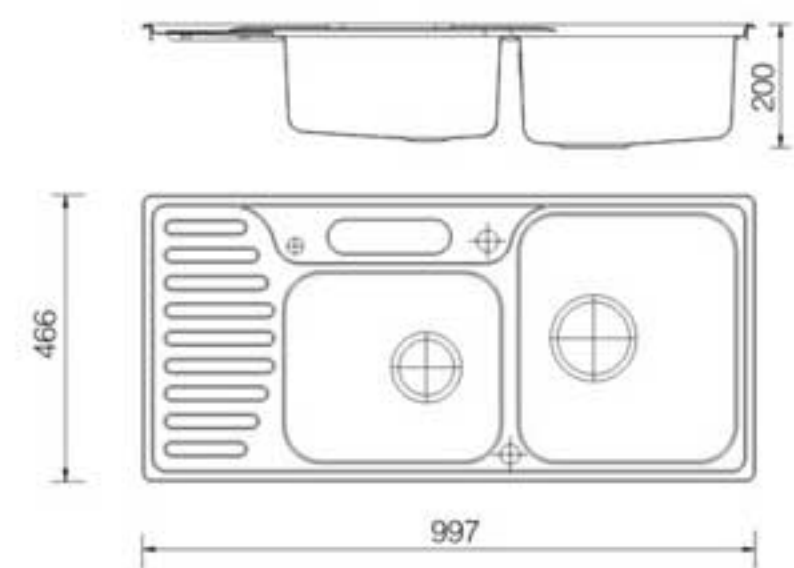
OP-PS929A-TC



ST09B

Code	OP-PS929A-TC
Specification(mm)	W997 x D466 x H200
Surface	Satin finish

Package: ST09B+ZT04A+DP10A+DP13+CB10+DP14+DP11+CD03+X041A



ZT04A

DP13

DP07B

DP03A

CB10

DP10A

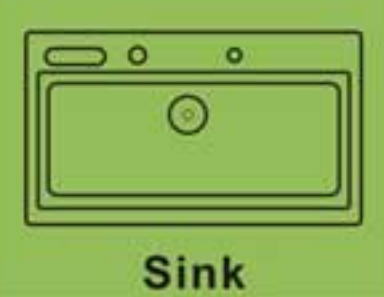
DP11+CD03

DP14

AMBRUM







Sink



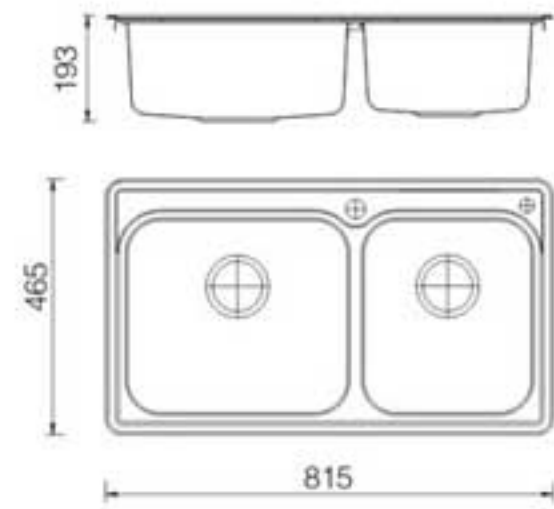
OP-PS621A-TC



ST02B

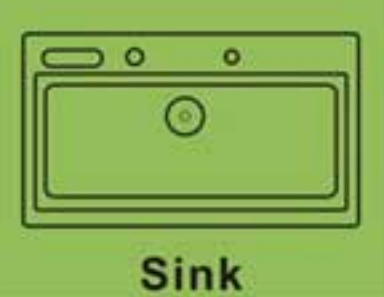
Code	OP-PS621A-TC
Specification(mm)	W815 x D465 x H193
Surface	Satin finish

Package: ST02B+ZT03A+DP13+DP07B+X039A



OPPEIN

OPPEIN



Sink



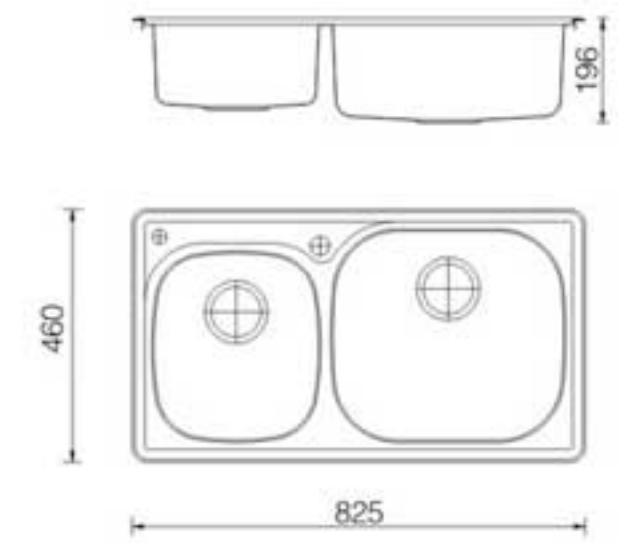
OP-PS626-TC



ST06A

Code	OP-PS626-TC
Specification(mm)	W825 x D460 x H196
Surface	Satin finish

Package: ST06A+ZT03A+DS14+X039A



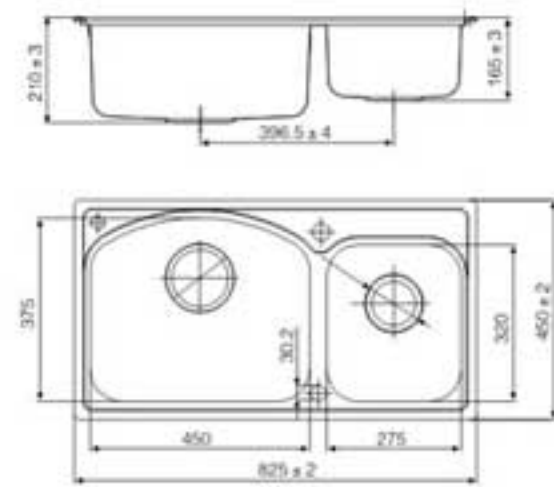
OP-PS622A-TC



ST02B

Code	OP-PS321A-TC
Specification(mm)	W825 x D450 x H210
Surface	Satin finish

Package: ST02B+ZT03A+DP13+DP07B+X041A



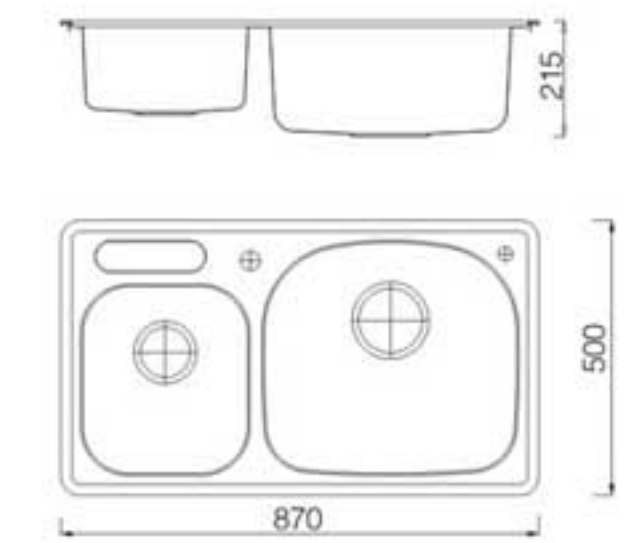
OP-PS6210B-TC



ST15A

Code	OP-PS6210B-TC
Specification(mm)	W870 x D500 x H215
Surface	Satin finish

Package: ST15A+ZT03A+DS14+DP14+DP11+CD03+X040A



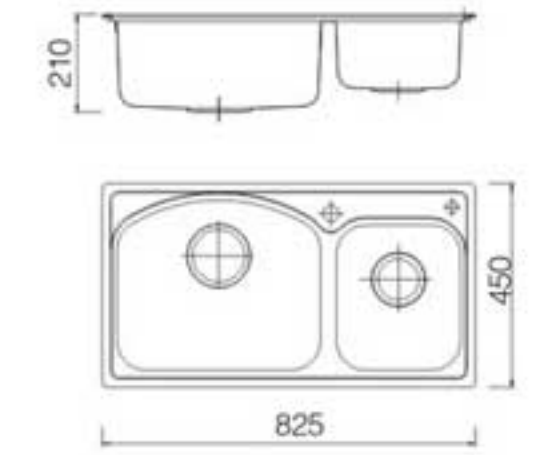
OP-PS622B-TC



ST02B

Code	OP-PS622B-TC
Specification(mm)	W825 x D450 x H210
Surface	Satin finish

Package: ST02B+ZT03A+DP13+DP07B+X041A



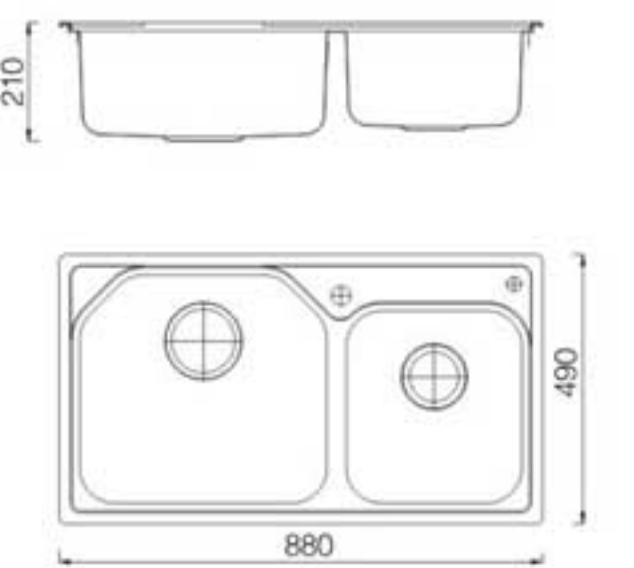
OP-PS6215B-TC



ST09B

Code	OP-PS6215B-TC
Specification(mm)	W880 x D490 x H210
Surface	Satin finish

Package: ST09B+ZT03A+DP13+DP07B+X040A



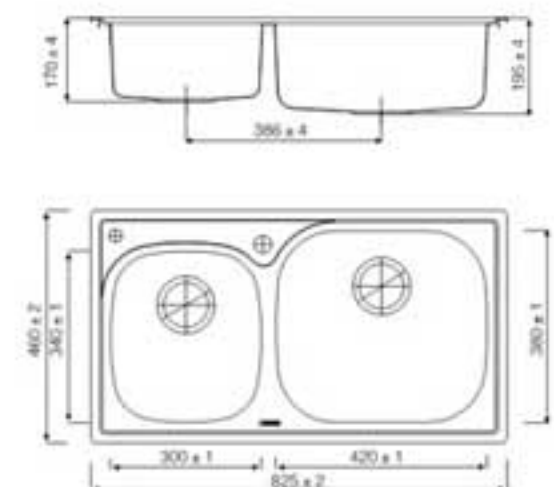
OP-PS6216-TC



ST03B

Code	OP-PS6216-TC
Specification(mm)	W825 x D460 x H196
Surface	Satin finish

Package: ST06A+ZT03A+DS14+X039A



ZT03A

DP13

DP07B

DS14



ZT03A

DP13

DP07B

DS14

DP11+CD03

DP14



# GARDA



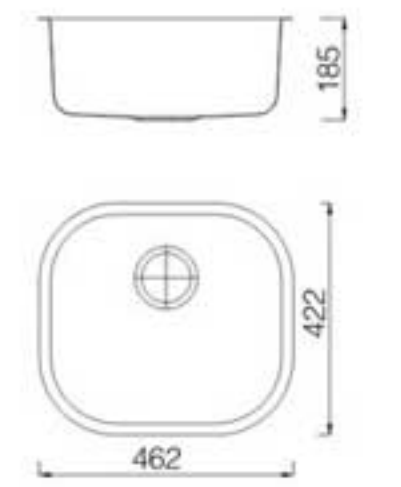
## OPPEIN



OP-PS313

Code	OP-PS313
Specification(mm)	W462 x D422 x H185
Surface	Satin finish

Package: X037A



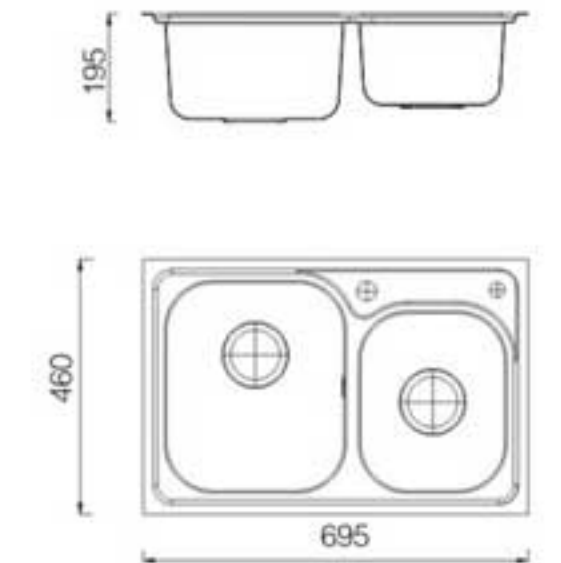
OP-PS321A-TC



ST01A

Code	OP-PS321A-TC
Specification(mm)	W695 x D460 x H195
Surface	Satin finish

Package: ST01A+ZT01A+DP07B+X039A



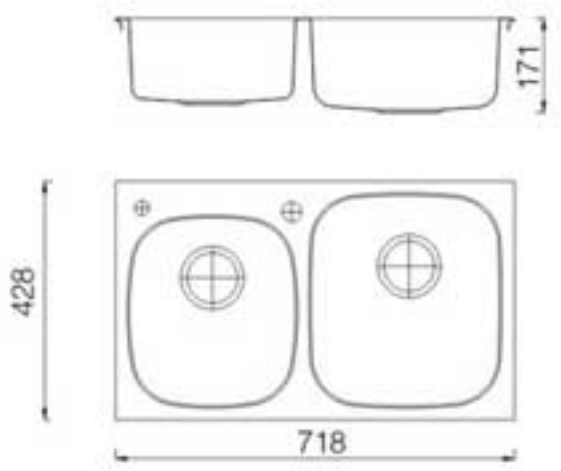
OP-PS324-TC



ST03B

Code	OP-PS324-TC
Specification(mm)	W718 x D428 x H171
Surface	Satin finish

Package: ST03B+ZT01A+DP07B+X039A



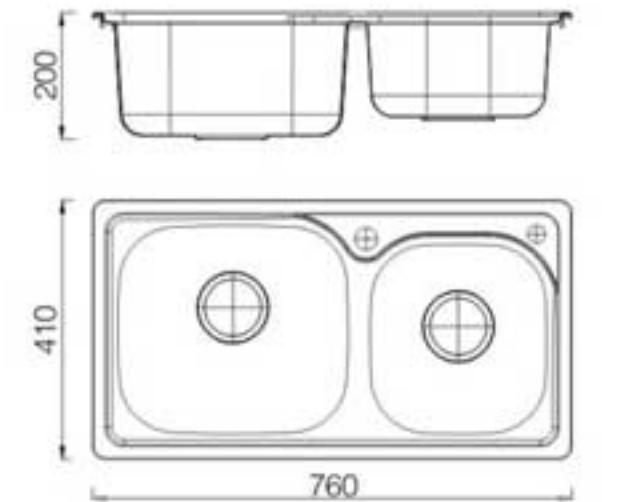
OP-PS328-TC



ST03B

Code	OP-PS328-TC
Specification(mm)	W760 x D410 x H200
Surface	Satin finish

Package: ST03B+ZT01A+X039A



ZT01A



DP07B



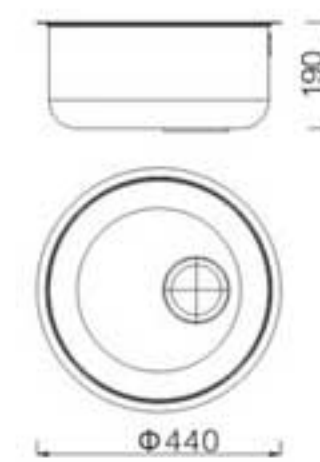
# PRAGUE



OP-PS311

Code	OP-PS311A
Specification(mm)	Φ440 x H190
Surface	Satin finish

Package:X037A



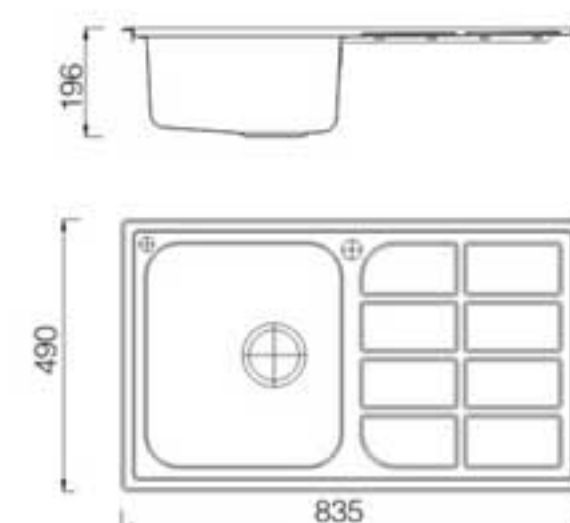
OP-PS315-TC



ST02B

Code	OP-PS315-TC
Specification(mm)	W835 x D490 x H196
Surface	Satin finish

Package:ST02B+X037A



## OPPEIN



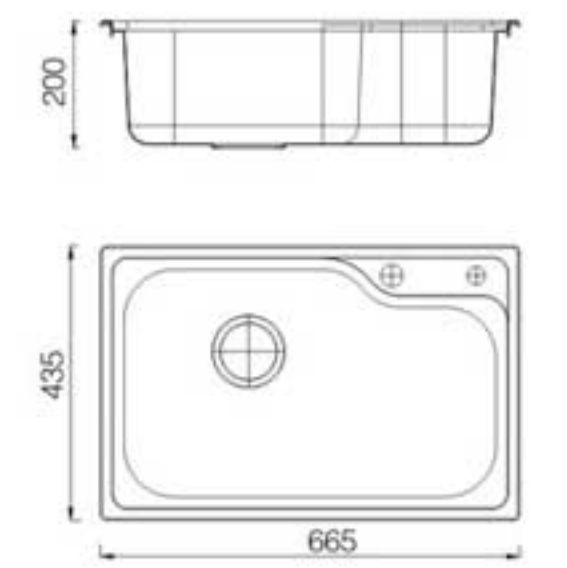
OP-PS316



ST02B

Code	OP-PS316
Specification(mm)	W665 x D435 x H200
Surface	Satin finish

Package:ST02B+ZT01A+X037A



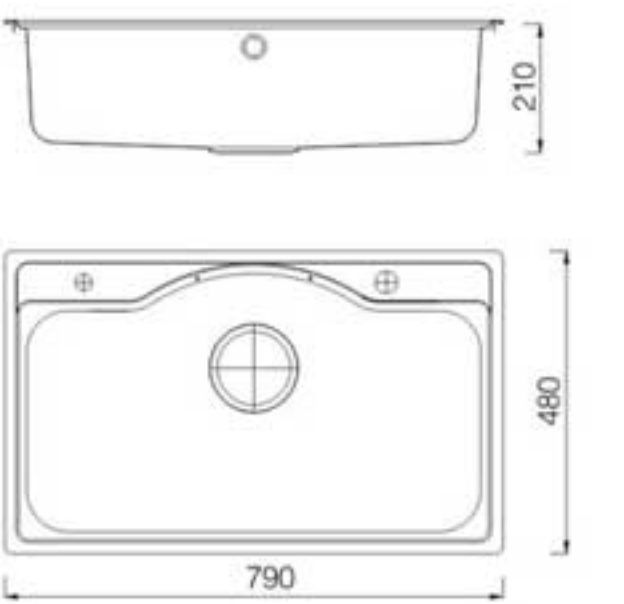
OP-PS611-TC



ST15A

Code	OP-PS611-TC
Specification(mm)	W790 x D480 x H210
Surface	Satin finish

Package:ST15A+ZT01A+DP13+DS01C+DS13+X038A



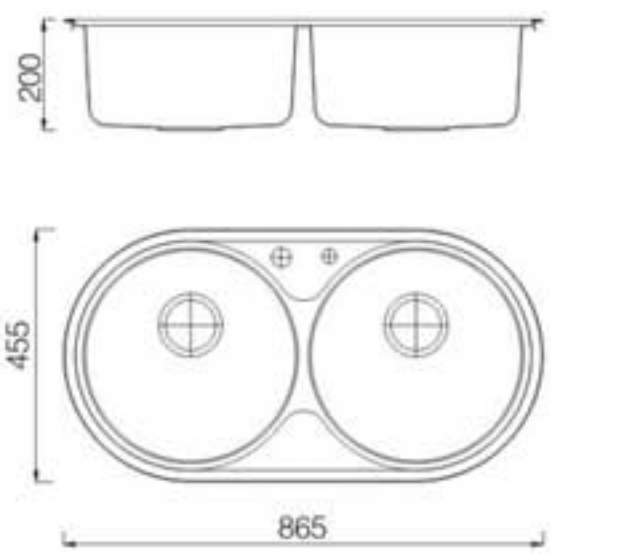
OP-PS6211-TC



ST02B

Code	OP-PS6211-TC
Specification(mm)	W865 x D455 x H200
Surface	Satin finish

Package:ST02B+ZT01A+DS07+X039A



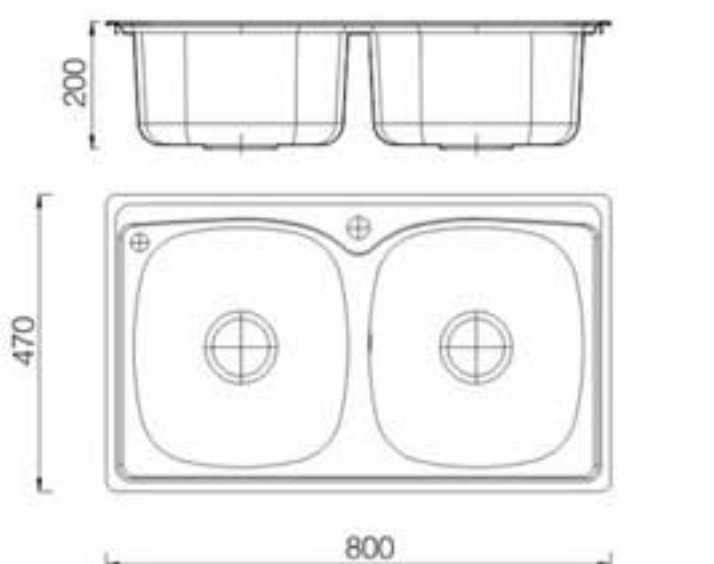
OP-PS6214A-TC



ST06A

Code	OP-PS6214A-TC
Specification(mm)	W800 x D470 x H200
Surface	Satin finish

Package:ST06A+ZT01A+DS09+X039A



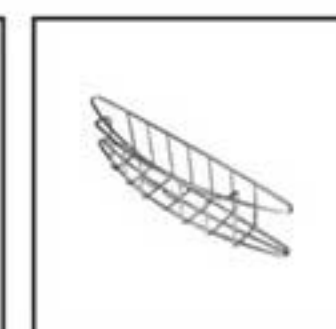
ZT01A



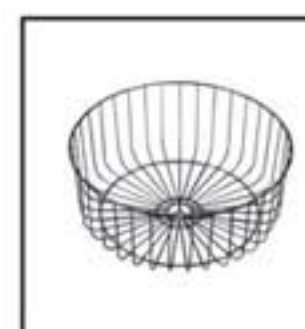
DP13



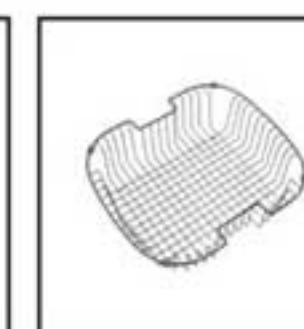
DS01C



DS13



DS07



DS09



# SISTINA



## OPPEIN



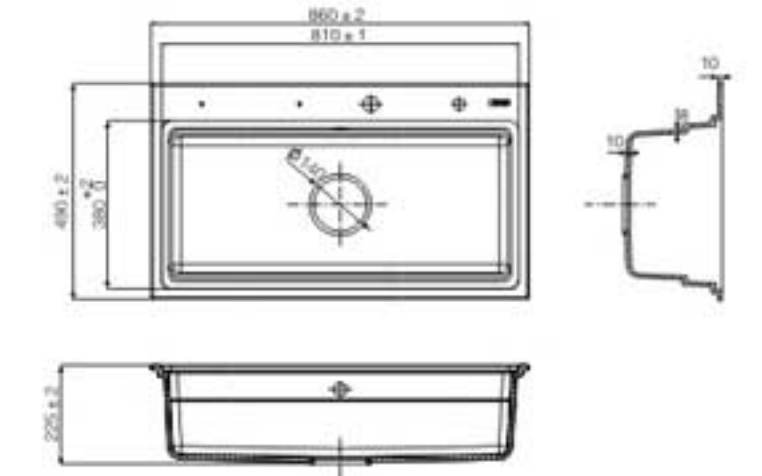
OP-GR510-TC



ST18A

Code	OP-GR510-TC
Specification(mm)	W860xD490XH225
Surface	Matte

Package: ST18A+ZT05A+DP13+DS16+DS01B+CB01B+X038A



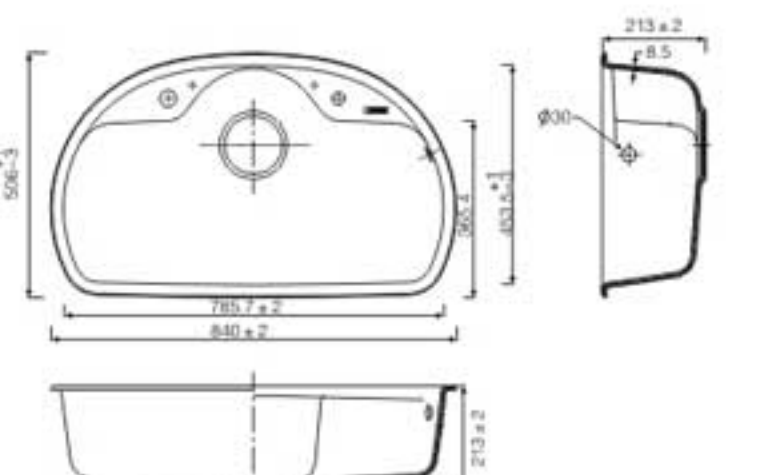
OP-GR511-TC



ST10A

Code	OP-GR511-TC
Specification(mm)	W840xD506XH213
Surface	Matte

Package: ST10A+ZT05A+DS15+DS16+X038A



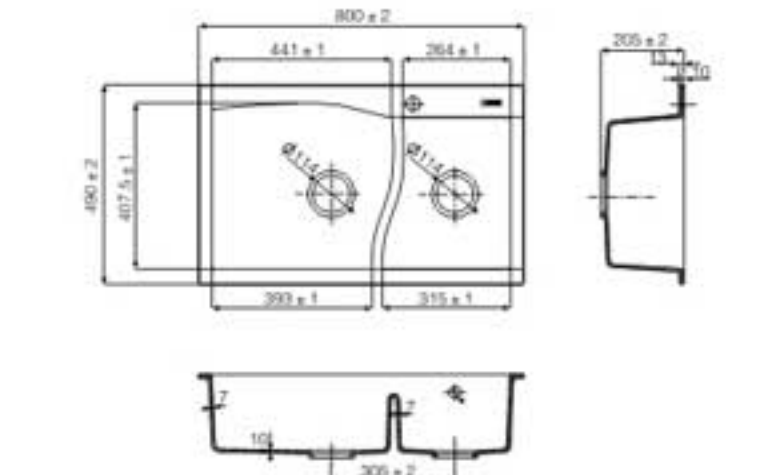
OP-GR523-TC



ST23

Code	OP-GR523-TC
Specification(mm)	W795xD485XH190
Surface	Matte

Package: ST23+ZT05A+X039A



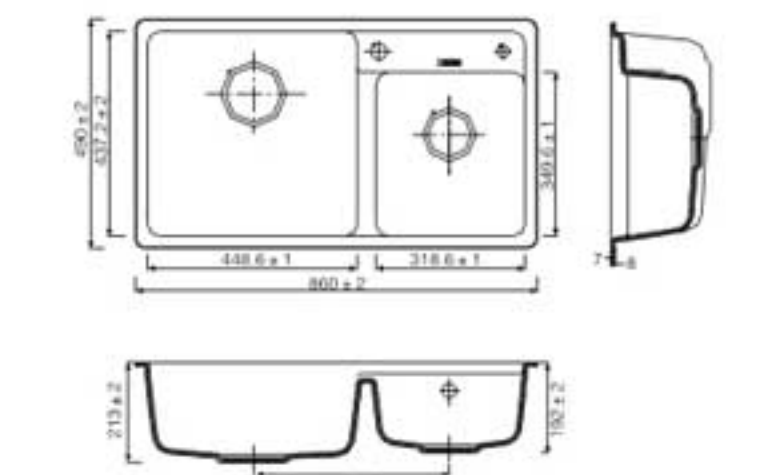
OP-GR524-TC



ST26

Code	OP-GR524-TC
Specification(mm)	W790xD490XH213
Surface	Matte

Package: ST26+ZT05A+X040A



ZT05A

DP13

CB01B

DS01B

DS15

DS16



Sink



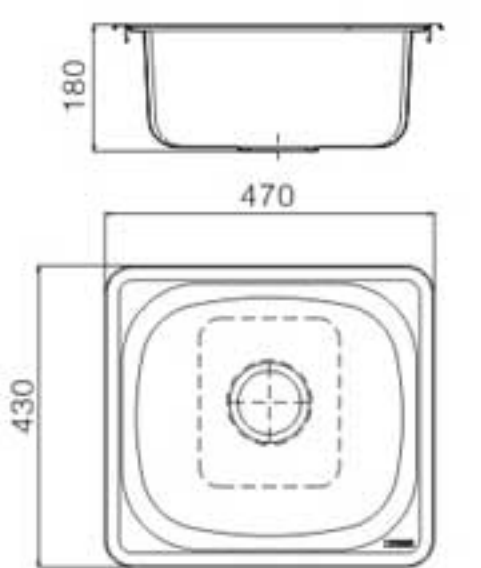


**OPPEIN**



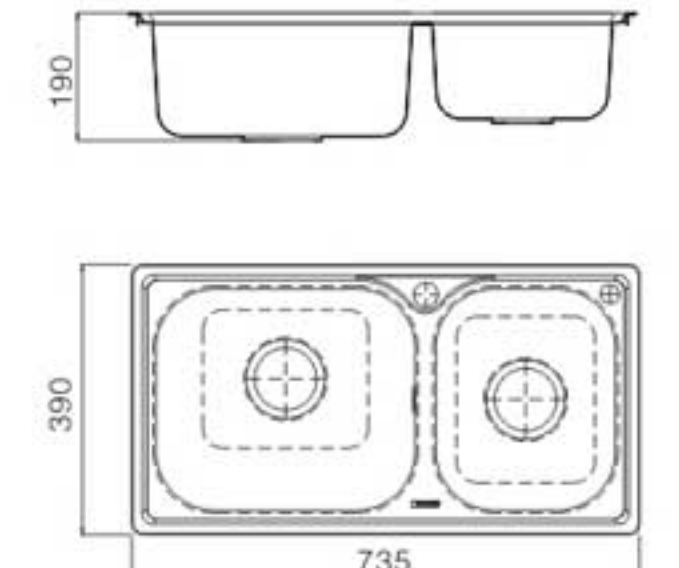
OP-PS211

Code	OP-PS211
Specification(mm)	W470 x D430 x H180
Surface	Wiredrawing



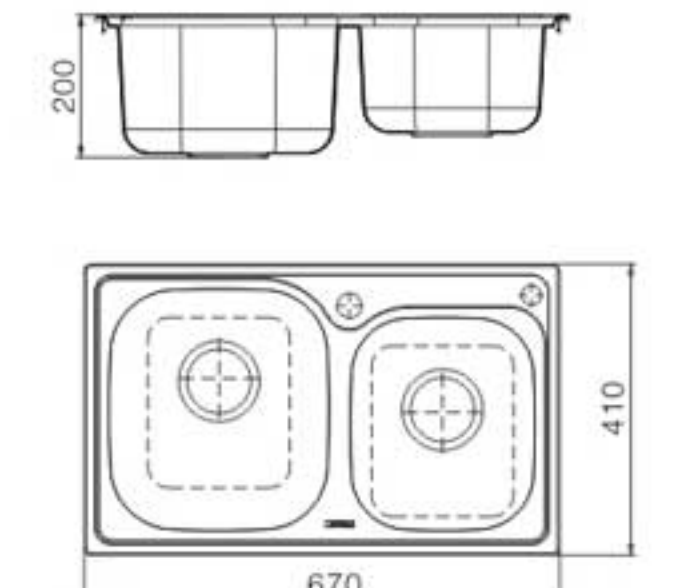
OP-PS223

Code	OP-PS223
Specification(mm)	W735 x D390 x H190
Surface	Wiredrawing



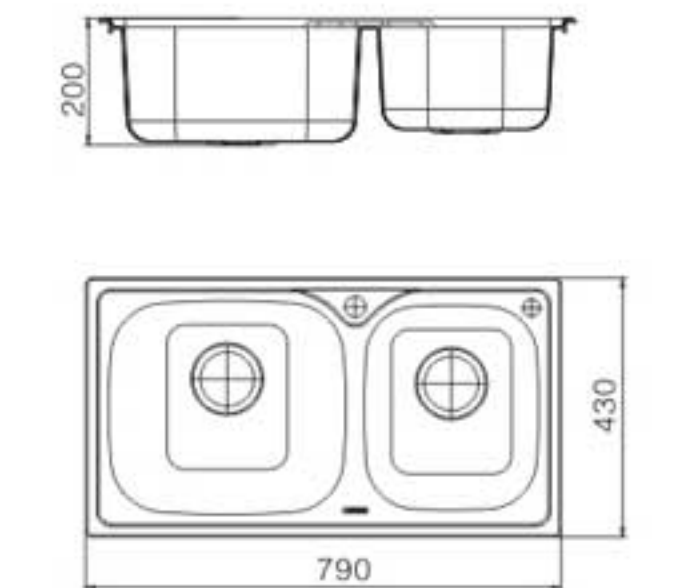
OP-PS224

Code	OP-PS224
Specification(mm)	W670 x D410 x H200
Surface	Wiredrawing



OP-PS225

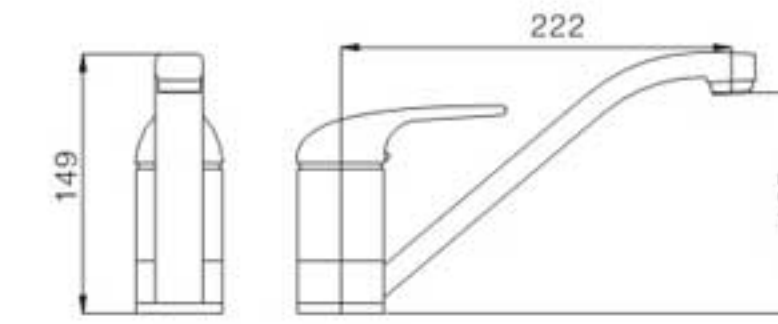
Code	OP-PS225
Specification(mm)	W790 x D430 x H200
Surface	Wiredrawing





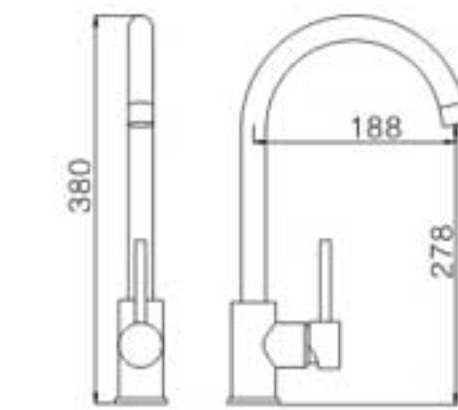


**OPPEIN**



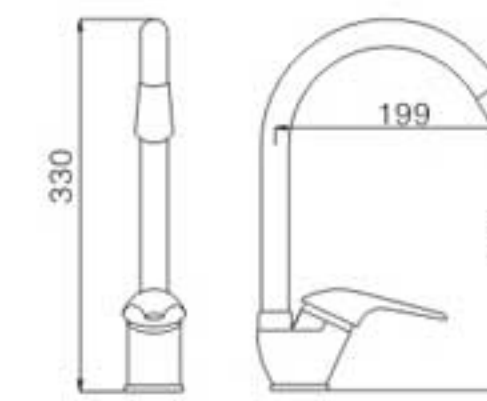
Code	OP-ST01A
Specification(mm)	W49xD261xH149
Material	Hpb59copper

OP-ST01A



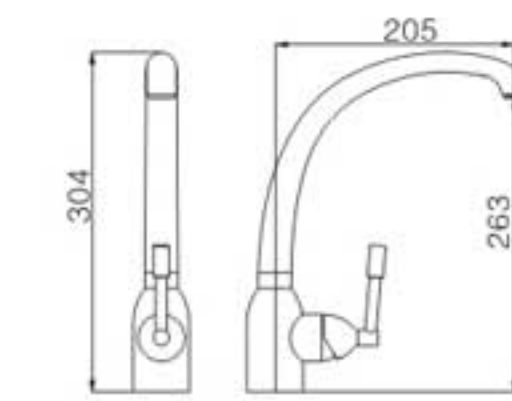
Code	OP-ST02B
Specification(mm)	W50xD225xH377
Material	Hpb59copper

OP-ST02B



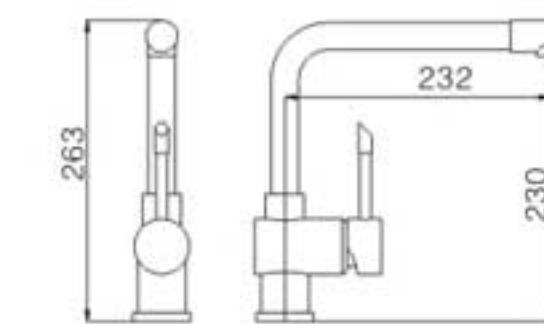
Code	OP-ST03B
Specification(mm)	W50xD225xH377
Material	Hpb59copper

OP-ST03B



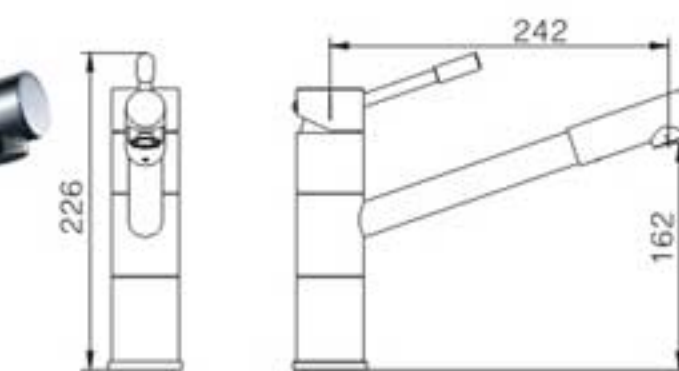
Code	OP-ST06A
Specification(mm)	W50xD237xH308
Material	Hpb59copper

OP-ST06A



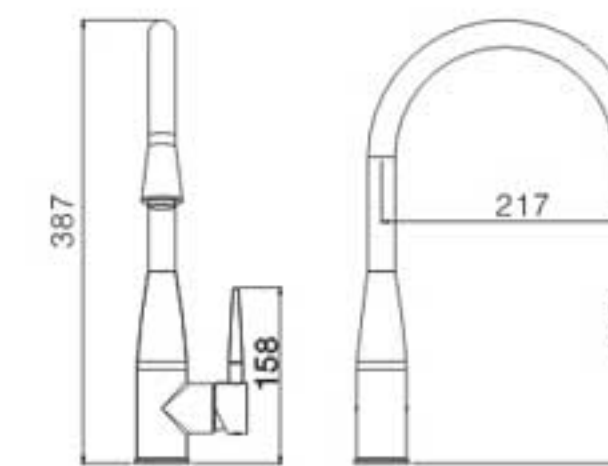
Code	OP-ST07A
Specification(mm)	W50xD289xH260
Material	Hpb59copper

OP-ST07A



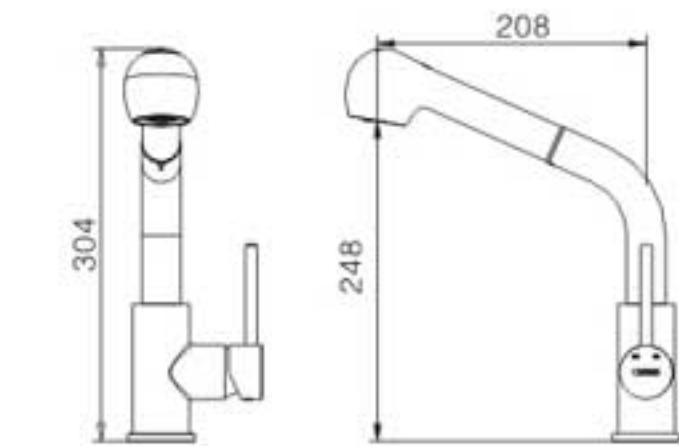
Code	OP-ST08A
Specification(mm)	W56xD285xH226
Material	Hpb59-1copper

OP-ST08A



Code	OP-ST09B
Specification(mm)	W48xD268xH390
Material	Hpb59copper

OP-ST09B



Code	OP-ST10A
Specification(mm)	W52xD259xH304
Material	Hpb59copper

OP-ST10A

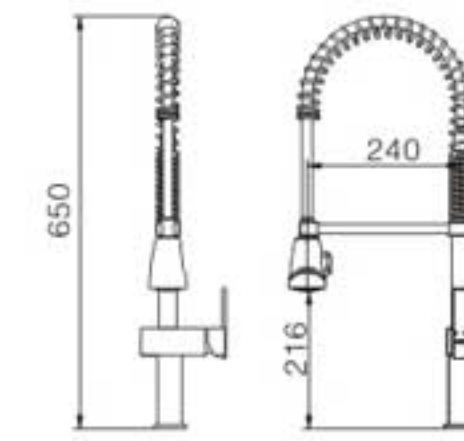




OPPEIN



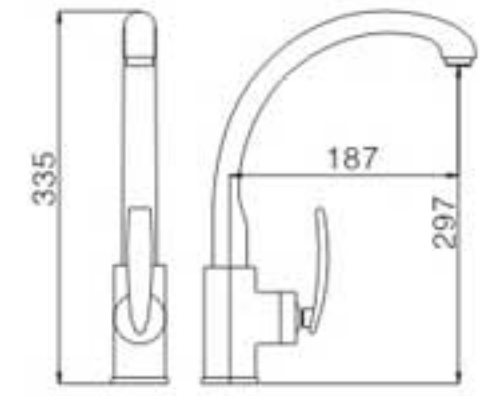
OP-ST11A



Code	OP-ST11A
Specification(mm)	W50xD313xH650
Material	Hpb59-1copper



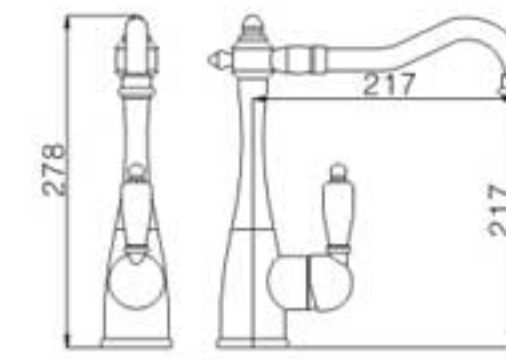
OP-ST12A



Code	OP-ST12A
Specification(mm)	W50xD227xH335
Material	Hpb59copper



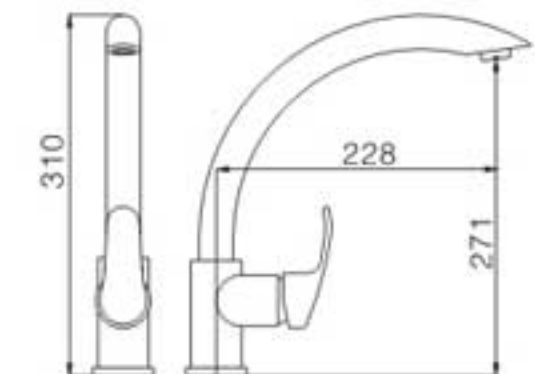
OP-ST13A



Code	OP-ST13A
Specification(mm)	W59xD268xH287
Material	Hpb59copper



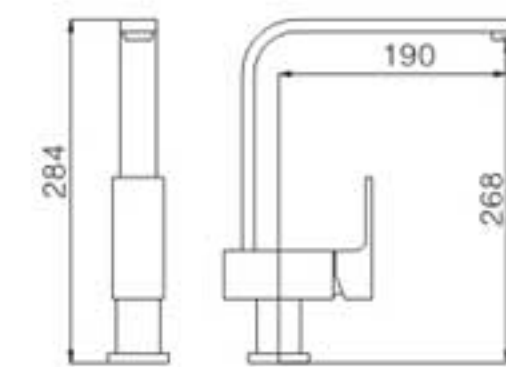
OP-ST15A



Code	OP-ST15A
Specification(mm)	W50xD278xH310
Material	Hpb59copper



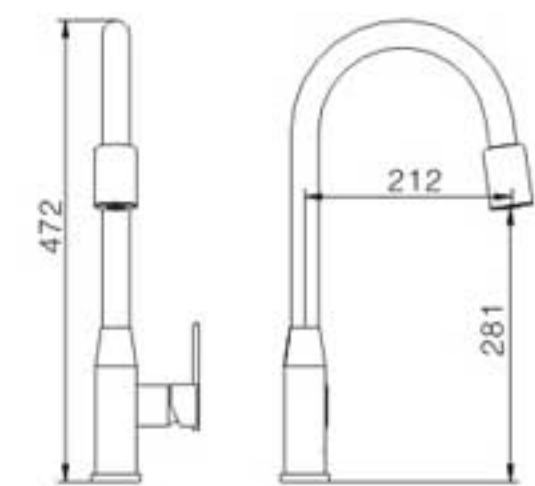
OP-ST17A



Code	OP-ST17A
Specification(mm)	W50xD250xH290
Material	Hpb59copper



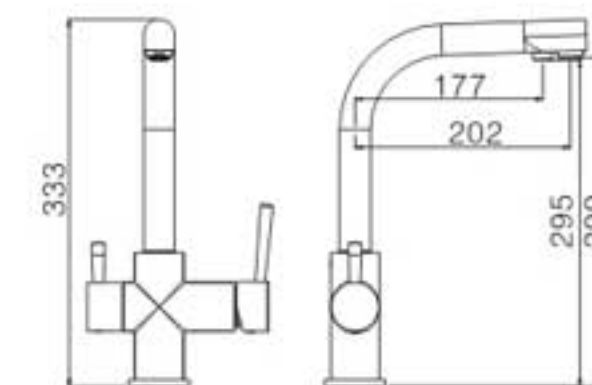
OP-ST18A



Code	OP-ST18A
Specification(mm)	W50xD258xH472
Material	Hpb59-1copper



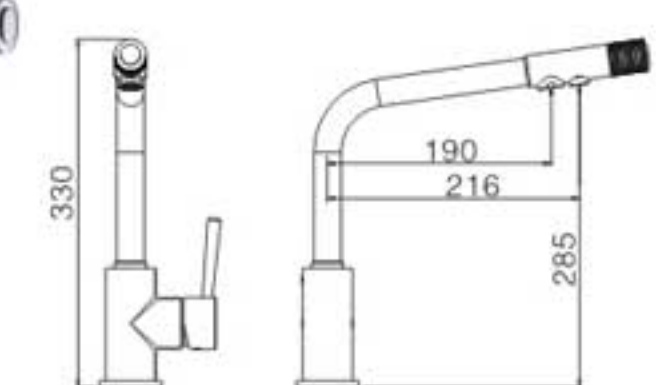
OP-ST19A



Code	OP-ST19A
Specification(mm)	W55xD231xH332
Material	Hpb59copper



OP-ST20A



Code	OP-ST20A
Specification(mm)	W55xD311xH307
Material	Hpb59copper

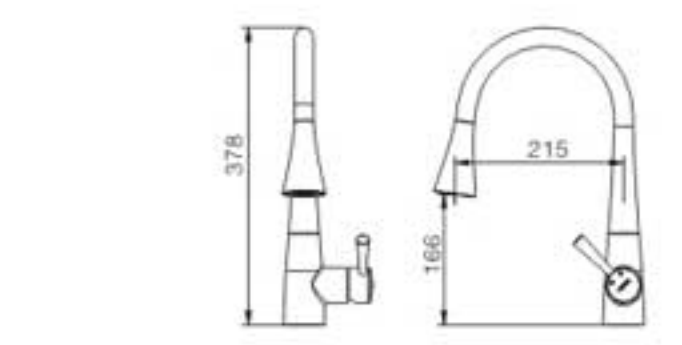




OPPEIN



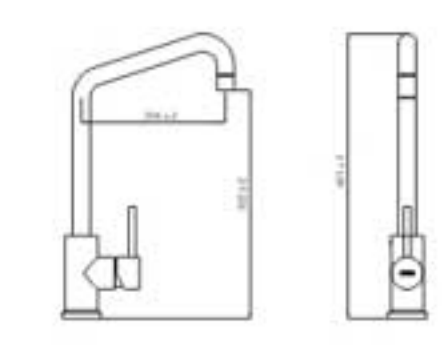
OP-ST23



Code	OP-ST23
Specification(mm)	W53xD268xH378
Material	ZCuZn40pb2



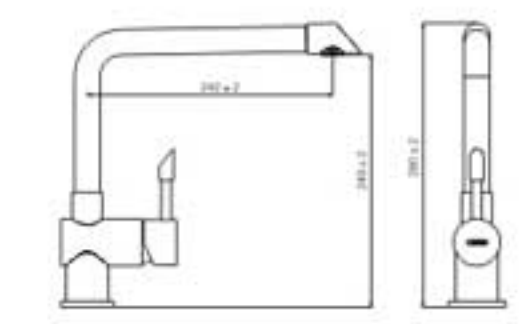
OP-ST25



Code	OP-ST25
Specification(mm)	W53xD268xH378
Material	SUS304



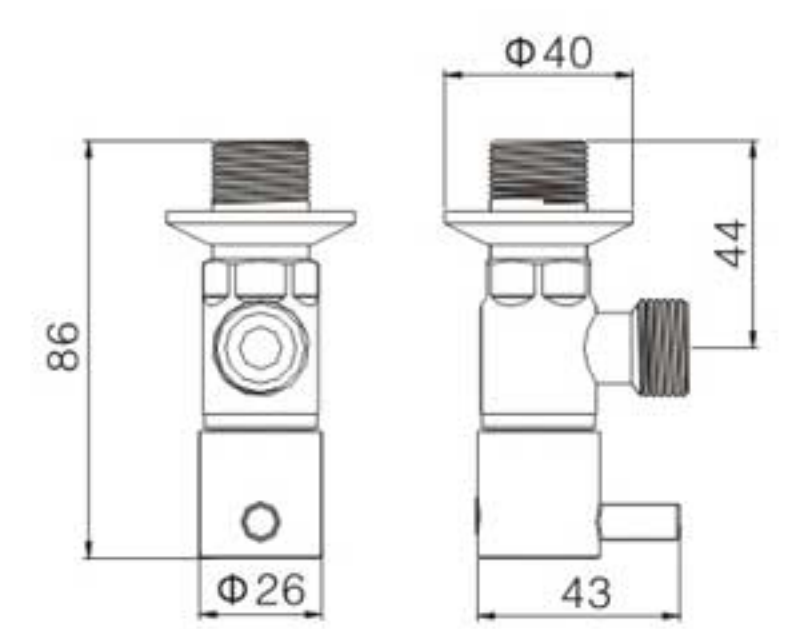
OP-ST26



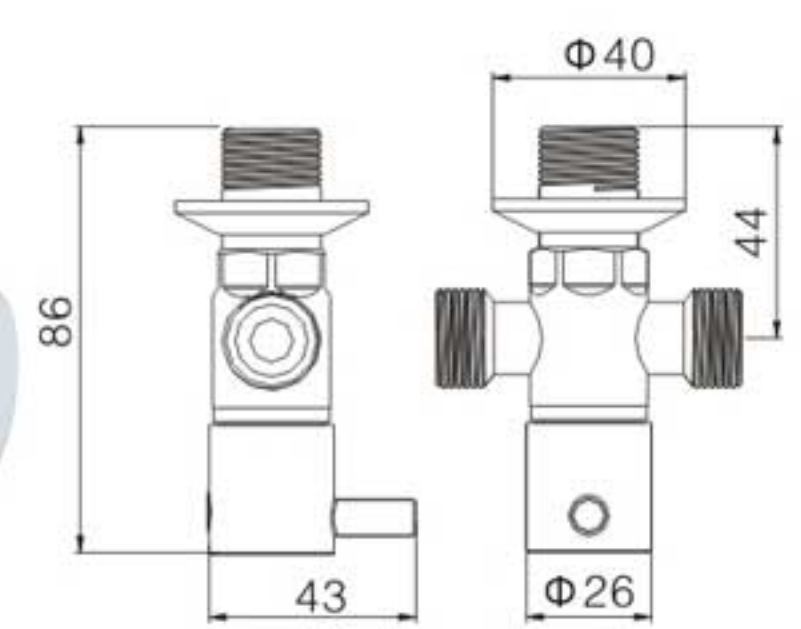
Code	OP-ST26
Specification(mm)	W53xD268xH378
Material	SUS304



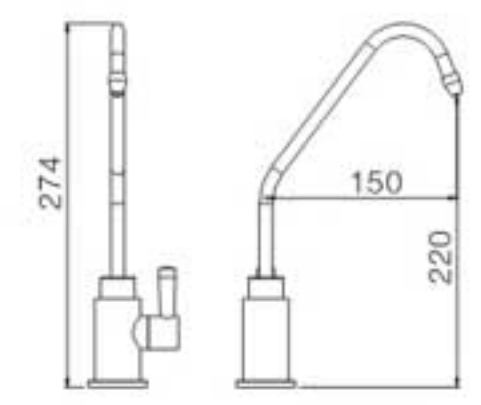
OP-SF01



OP-SF02



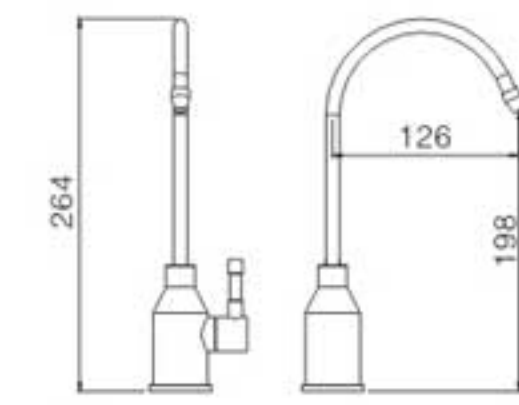
OP-ST21A



Code	OP-ST21A
Specification(mm)	W43xD164xH264
Material	G1/2copper



OP-ST22



Code	OP-ST22
Specification(mm)	W43xD154xH258
Material	Hpb59copper



OP-ZT01A



OP-ZT03A



OP-ZT04A



OP-ZT05A



OP-ZT201A





In Cabinet Downlight

Code	Name	Specification(mm)	Power(w)	Light source
DJ-Q001	In Cabinet Downlight	φ88 x 26	7W	3400K/white light
Applicable cabinet	Installation space	Standard accessories		
Wall Cabinet	Top	2m Power Line outside		



Dish shaped downlight

Code	Name	Specification(mm)	Power(w)	Light source
DJ-Q002	Dish shaped downlight	φ169 x 30.5	7W	3400K/white light
Applicable cabinet	Installation space	Standard accessories		
Medium cabinet/High cabinet	Top	2m Power Line outside		



Wedge shaped downlight

Code	Name	Specification(mm)	Power(w)	Light source
DJ-Q003	Wedge shaped downlight	174x110x50	7W	3400K/white light
Applicable cabinet	Installation space	Standard accessories		
Wall Cabinet	Bottom	2m Power Line outside		



Bottom light 600 for wall cabinet

Code	Name	Specification(mm)	Power(w)	Light source
DJ-Y060DJ	Bottom light 600 for wall cabinet	567x324x31	T5/7W	4000K/white light
DJ-Y070DJ	Bottom light 700 for wall cabinet	667x324x31	T5/13W	4000K/white light
DJ-Y080DJ	Bottom light 800 for wall cabinet	767x324x31	T5/13W	4000K/white light
Applicable cabinet	Installation space	Standard accessories		
Wall Cabinet	Bottom panel	2m Power Line outside		
Wall Cabinet	Bottom panel	2m Power Line outside		
Wall Cabinet	Bottom panel	2m Power Line outside		



Bottom LED sensor light for wall cabinet

Code	Name	Specification(mm)	Power(w)	Light source
DJ-L080DGA	Bottom light 600 for wall cabinet	767x324x21	5W/12V	5000-6000K/white light
DJ-L090DGA	Bottom light 700 for wall cabinet	867x324x21	5W/12V	5000-6000K/white light
DJ-L100DGA	Bottom light 800 for wall cabinet	967x324x21	5W/12V	5000-6000K/white light
Applicable cabinet	Installation space	Standard accessories		
Wall Cabinet	Bottom panel	With 2m/22AWG(link line)LED in-line on one edge,Power Driver 12-Volt		
Wall Cabinet	Bottom panel	With 2m/22AWG(link line)LED in-line on one edge,Power Driver 12-Volt		
Wall Cabinet	Bottom panel	With 2m/22AWG(link line)LED in-line on one edge,Power Driver 12-Volt		



LED infrared inductive light for drawer

Code	Name	Specification(mm)	Power(w)	Light source
DJ-L090TG	LED infrared inductive light for drawer 900	863 x 18 x 14	4W	48pcs smd LED/white light
DJ-L100TG	LED infrared inductive light for drawer 1000	963 x 18 x 14	5W	60pcs smd LED/white light
Applicable cabinet	Installation space	Standard accessories		
Drawer	Side panels	With 2m/22AWG(link line) LED in-line on one edge		
Drawer	Side panels	With 2m/22AWG(link line) LED in-line on one edge		



Drawer Light

Code	Name	Specification(mm)	Power(w)	Light source
DJ-Y080TJA	Drawer Light800	767x52x28	T5/13W	4000K/white light
DJ-Y090TJA	Drawer Light900	867x52x28	T5/13W	4000K/white light
DJ-Y100TJA	Drawer Light1000	967x52x28	T5/13W	4000K/white light
Applicable cabinet	Installation space	Standard accessories		
Drawer	Side panels	1.5m Power Line outside		
Drawer	Side panels	1.5m Power Line outside		
Drawer	Side panels	1.5m Power Line outside		



Bottom light 600 for wall cabinet

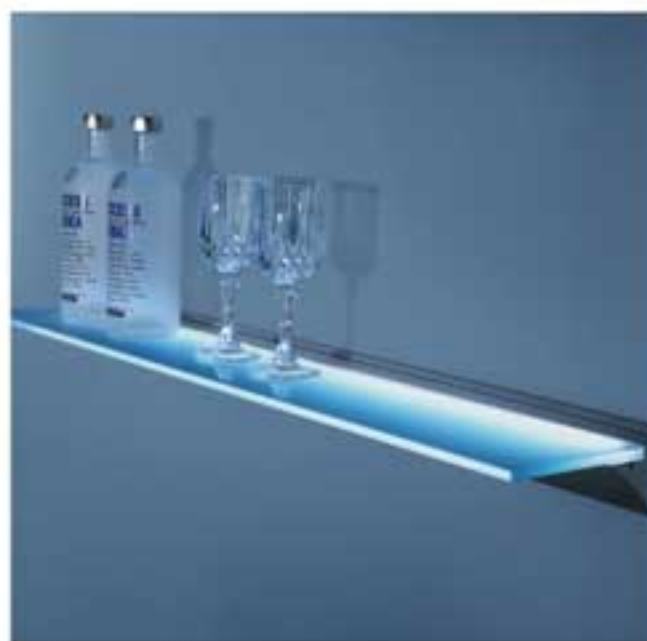
Code	Name	Specification(mm)	Power(w)	Light source
DJ-Y090DJ	Bottom light 900 for wall cabinet	867x324x31	T5/13W	4000K/white light
DJ-Y100DJ	Bottom light 1000 for wall cabinet	967x324x31	T5/13W	4000K/white light
DJ-Y120DJ	Bottom light 1200 for wall cabinet	1167x324x31	T5/13W	4000K/white light
Applicable cabinet	Installation space	Standard accessories		
Wall Cabinet	Bottom panel	2m Power Line outside		
Wall Cabinet	Bottom panel	2m Power Line outside		
Wall Cabinet	Bottom panel	2m Power Line outside		





DJ-Y090CJA

Code	Name	Specification(mm)	Power(w)	Light source
DJ-Y090CJA	Squared Shelf Light: width 900	900x180x50	T5/14W	4000K/white light
<b>Applicable cabinet</b>				
External	Wall shelf	2m Power Line outside		



LED glass shelf light 900

Code	Name	Specification(mm)	Power(w)	Light source
DJ-L090CJA	LED glass shelf light 900	900x168x70	5W	8000K/white light
<b>Applicable cabinet</b>				
External	Wall, to use as exposed open shelf	2m Power Line outside		



DJ-L003

Code	Name	Specification(mm)	Power(w)	Light source
DJ-L003	Inductive LED Light for Corner Cabinet	161x27.5x13.8	1.4W/12V	5000-6000K/white light
<b>Applicable cabinet</b>				
Corner Cabinet	Side Panels for Corner Cabinet	With 2m/22AWG(link line)LED in-line on one edge		



LED Rope Light

Code	Name	Specification(mm)	Power(w)	Light source
DJ-L002	LED Rope Light	L=300	0.8W	12pcs smd LED/white light
<b>Applicable cabinet</b>				
Countertop	Circumjacent	Open mounted, 1 warm white rope light, 1 input conduct wire, 1 connector		



DJ-Y001

Code	Name	Specification(mm)	Power(w)	Light source
DJ-Y001	Light for Wall Corner Cabinet: Width 500	500X90X60	T5/8W	4000K/white light
<b>Applicable cabinet</b>				
Wall Cabinet	Wall Cabinet Bottom	2m Power Line outside, with two 3-socket		



DJ-L005

Code	Name	Specification(mm)	Power(w)	Light source
DJ-L005	LED Light for Cabinet Body	150x25x10	1.4W/12V	5000-6000K/white light
<b>Applicable cabinet</b>				
Wall Cabinet	Wall Cabinet Bottom or Top	With 2m/22AWG(link line)LED in-line on one edge		



DJ-L004

Code	Name	Specification(mm)	Power(w)	Light source
DJ-L004	Inductive LED Light for Cabinet Body	150x25x10	1.4W/12V	5000-6000K/white light
<b>Applicable cabinet</b>				
Wall Cabinet	Wall Cabinet Bottom or Top	With 2m/22AWG(link line)LED in-line on one edge		



DJ-L080TGA

Code	Name	Specification(mm)	Power(w)	Light source
DJ-L080TGA	Inductive LED Light for Drawer Width 800	743x27.5x13.7	2.8W/12V	5000-6000K/white light
DJ-L090TGA	Inductive LED Light for Drawer Width 900	843x27.5x13.7	2.8W/12V	5000-6000K/white light
DJ-L0100TGA	Inductive LED Light for Drawer Width 1000	943x27.5x13.7	2.8W/12V	5000-6000K/white light
<b>Applicable cabinet</b>				
Floor cabinet	Side panels of drawer	With 2m/22AWG(link line)LED in-line on one edge, Power Driver 12-Volt		
Floor cabinet	Side panels of drawer	With 2m/22AWG(link line)LED in-line on one edge, Power Driver 12-Volt		
Floor cabinet	Side panels of drawer	With 2m/22AWG(link line)LED in-line on one edge, Power Driver 12-Volt		





OP-MT001

Code	OP-MT001
Name	Pull out rice container
Specification	W150 x D470 x H560
Carcase	200mm
Collocation	Color steel tank, Hettich buffer slide
Volume	15kg



OP-MT002

Code	OP-MT002
Name	Swing door rice container
Specification	W220 x D390 x H460
Carcase	300mm
Collocation	ABS Plastic, standard slide
Volume	35kg



OP-MT003

Code	OP-MT003
Name	Pull out rice container
Specification	W250 x D490 x H520
Carcase	300mm
Collocation	Color steel tank, Hettich buffer slide
Volume	25kg



OP-MT006

Code	OP-MT006
Name	Complex store bin
Specification	W384 x D490 x H560
Carcase	450mm
Collocation	Color steel tank, Hettich buffer slide
Volume	35kg



OP-MT004A

Code	OP-MT004A
Name	Pull out flour container
Specification	W250 x D490 x H235
Carcase	300mm
Collocation	Color steel tank, Hettich buffer slide
Volume	10kg



OP-MT005

Code	OP-MT005
Name	pull out rice container
Specification	W250 x D490 x H320
Carcase	300mm
Collocation	Color steel tank, Hettich buffer slide
Volume	10kg



OP-WT001A

Code	OP-WT001A
Name	Swing door waste bin
Specification	Φ260 x H315
Carcase	Under the sink
Collocation	Color steel



OP-WT003

Code	OP-WT003
Name	Pull out waste bin
Specification	W205 x D400 x H350
Carcase	Under the sink
Collocation	ABS Plastic



OP-WT005

Code	OP-WT005
Name	Pull out garbage bin
Specification	W250 x D480 x H330
Carcase	Under the sink
Collocation	ABS Plastic



OP-WT006

Code	OP-WT006
Name	Garbage bin
Specification	W310 x D280 x H315
Carcase	Under the sink
Collocation	PP plastic, steel frame



OP-WT008

Code	OP-WT008
Name	Garbage Bin linked with Door
Specification	W368xD280xH320
Carcase	Under the sink
Collocation	PP plastic, steel frame



OP-WT007-TC

Code	OP-WT007-TC
Name	Storage containers for sink cabinet
Specification	W155 x D460 x H268 ( 2个 )
Carcase	Under the sink
Collocation	PP plastic



OP-CWA-TC

Code	OP-CWA-TC
Name	Storage containers set(3 Piece)
Material	PP\Silica Gel
Surface	Polished \Transparent
Sets	9L, 4.5L, 2L



# Functional Hardware







Code	OP-GJG-TC
Name	Suite G
Material	High quality steel Q195
Surface	polished stainless steel

OP-GJG-TC



Code	OP-GJF-TC
Name	Suite F
Material	SUS202
Surface	Polished stainless steel

OP-GJF-TC



Code	OP-GJH-TC
Name	Suite H
Material	High quality steel Q195
Surface	Chromium iron

OP-GJH-TC



Code	OP-GJI-TC
Name	Suite I
Material	SUS202
Surface	Polished stainless steel

OP-GJI-TC



Code	OP-GJJ-TC
Name	Suite J
Material	SUS202
Surface	Polished stainless steel

OP-GJJ-TC



Code	OP-GJ006
Name	Spice rack
Specification	W400xD154xH250mm
Material	Polished stainless steel

OP-GJ006



Code	OP-GJ007
Name	Single-canister cutlery rack
Specification	W137xD150xH300
Material	Polished stainless steel

OP-GJ007



Code	OP-GJ008
Name	6-piece pothook
Specification	W400xD65xH155mm
Material	Polished stainless steel

OP-GJ008



Code	OP-GJ009
Name	Boiler cover rack
Specification	W210xD140xH340mm
Material	Polished stainless steel

OP-GJ009



Code	OP-GJ010
Name	Double deck spice rack
Specification	W360 x D125 x H318mm
Material	Polished stainless steel

OP-GJ010



Code	OP-GJ011
Name	The kitchen hangs
Specification	W300 x D190 x H375 mm
Material	Polished stainless steel

OP-GJ011



Code	OP-GJ012
Name	Pothook spice rack
Specification	W400 x D120 x H265 mm
Material	Polished stainless steel

OP-GJ012



Code	OP-GJ013
Name	Bracket
Specification	W370 x D150 x H260mm
Material	Polished stainless steel

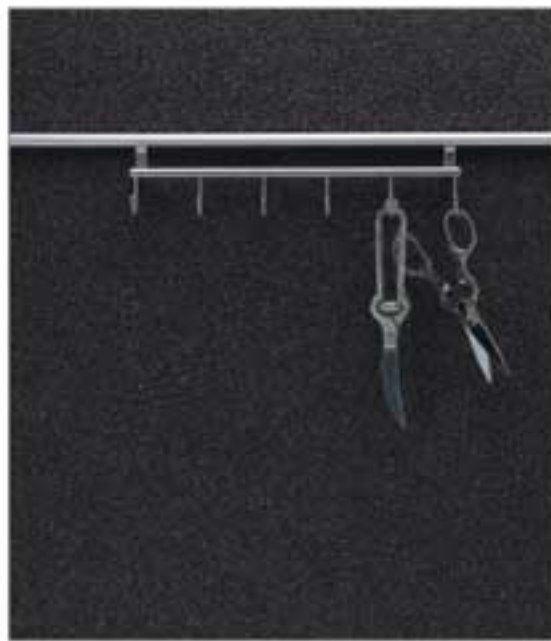
OP-GJ013





Code	OP-GJ014
Name	Spice rack
Specification	W400xD154xH250mm
Material	Polished stainless steel

OP-GJ014



Code	KSBM8101A
Name	Pot hook
Specification	380mm
Finish	Matte nickle

Pot hook



Code	KSBM8113A
Name	Hanging pole
Specification	1500mm customized
Finish	Steel drawbench

Hanging pole



Code	KSBM8116A
Name	Plate holder
Specification	380 x 190 x 225
Finish	Matte nickle

Plate holder



Code	KSBM8097A
Name	Spice rack
Specification	380 x 80 x 275
Finish	Matte nickle

Spice rack



Code	KSBM8098A
Name	Detergent holder
Specification	501x150x275
Finish	Matte nickle

Detergent holder



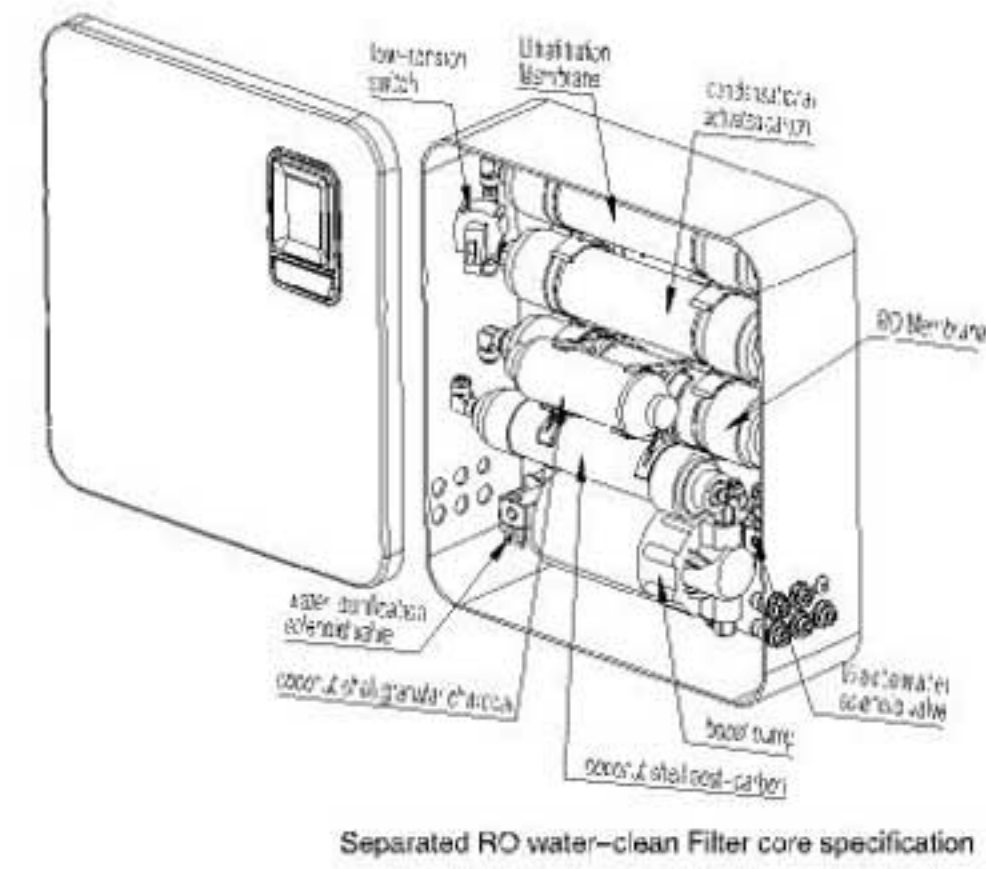
Code	KSBM8115
Name	Cover organizer
Specification	115x80x255
Finish	Matte nickle

Cover organizer





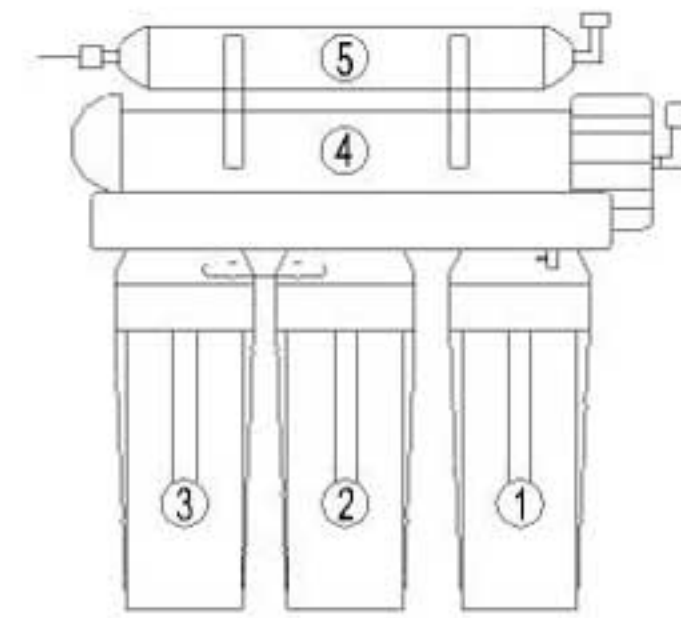
CY-JS801



Separated RO water-clean Filter core specification



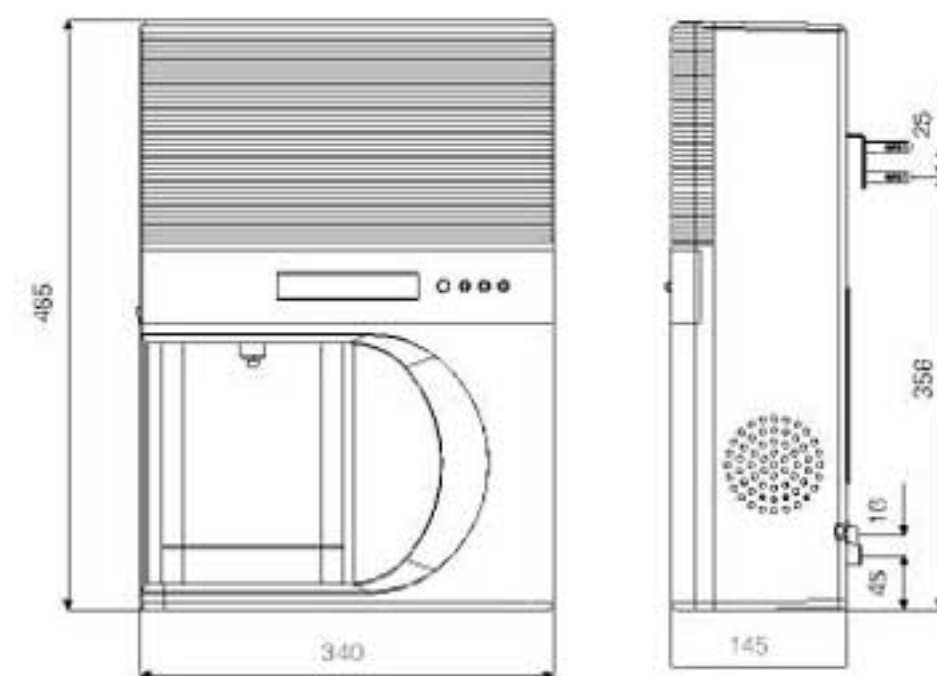
CY-JS802



- ① 5micron PP Filter core
- ② Kernel granular charcoal
- ③ 1micron PP Filter core
- ④ Shihan RO Membrane
- ⑤ coconut shell granular charcoal

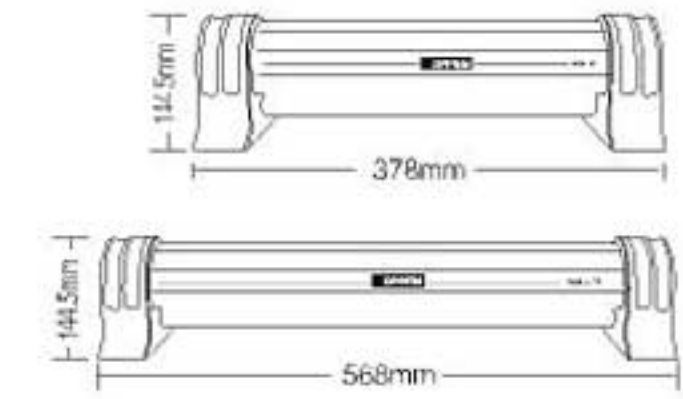


CY-JS701/JS702



CY-JSS501A  
CY-JSS501B

Code	CY-JSS501A	CY-JSS501B
Water flux	600L/H	1000L/H
Material of Filter core	KDF imported from USA+food grade PVC Ultrafiltration Membrane	
Installation place	Kitchen Cabinet	
Purified water's quality	be superior to National Standard of Domestic Water	
Applicable water pressure	0.1-0.4Mpa	
Applicable water source	tap-water	
Applicable water temperature	5-45℃	
Main material	1. Stainless steel 2. Ultrafiltration Membrane(food grade PVC) 3. KDF(from USA)	
Term of validity	1. Ultrafiltration Membrane:more than 3 years 2. KDF:more than 3 years	



Sterilizer for Fruit and Vegetable



CY-JSS501C

Code	CY-JSS501C
Water flux	2500L/H
Material of Filter core	KDF imported from USA+food grade PVC Ultrafiltration Membrane
Installation place	Kitchen Cabinet
Purified water's quality	be superior to National Standard of Domestic Water
Applicable water pressure	0.1-0.4Mpa
Applicable water source	tap-water
Applicable water temperature	5-45℃
Main material	1. Stainless steel 2. Ultrafiltration Membrane(food grade PVC) 3. KDF(from USA)
Term of validity	1. Ultrafiltration Membrane:more than 3 years 2. KDF:more than 3 years



CY-EQX03



CY-EQX02



CY-EQX01





CY-GJ501



CY-EYG01A



CY-GJ503

This product is suitable for the following appliances



CY-EYG03



CY-EYG04



CY-EYG05

This product is suitable for the following appliances



CY-GJ901A



CY-GJ901B



CY-GJ901C

This product is suitable for the following appliances



CY-GJ801A



CY-GJ801B



CY-GJ801C

This product is suitable for the following appliances



CY-GJ801N



CY-GJ801ZA(28cm)  
CY-GJ801Z(24cm)

This product is suitable for the following appliances



CY-GJ803B



CY-GJ803C



CY-GJ803N

This product is suitable for the following appliances





CY-DJC-TC



CY-DJD-TC



CY-DJE-TC



CY-DJF-TC



CY-DJG-TC

Cutting Board Series



CY-DJH-TC



CY-TWB001



CY-ZBW002



CY-ZBW003



CY-ZBB001

Cooker Series



CY-CJA-TC



CY-CJC-TC



CY-CJB-TC



CY-CJD-TC



CY-GWA-TC



CY-CWSA-TC



CY-CWPA-TC



CY-CWC01



CY-CWC02



CY-WQCA-TC



CY-CQHA-TC